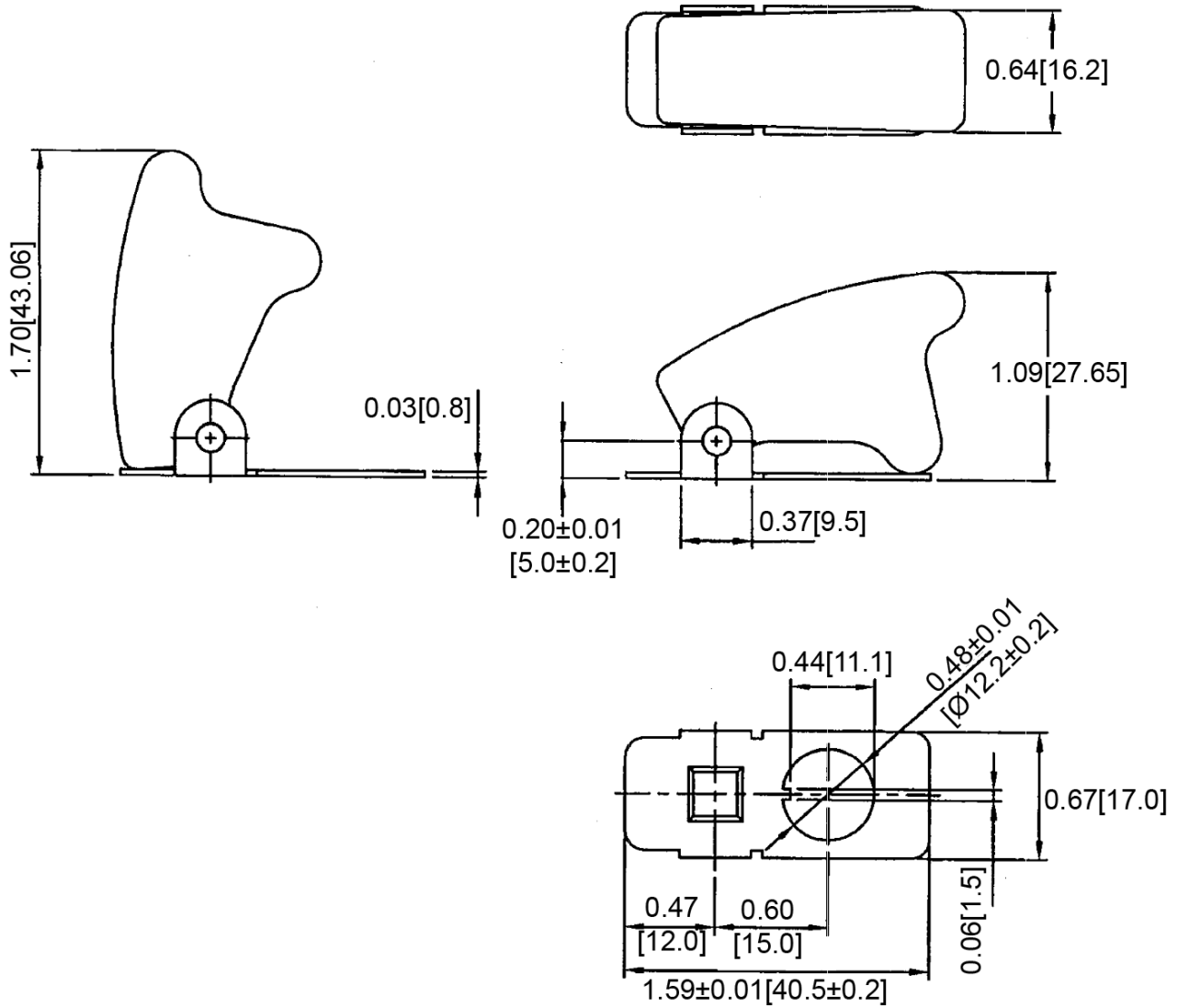


Mechanical Dimensions: Inches [mm]

Tolerances ± 0.012 [0.3] Unless Otherwise Specified



Keyway is opposite

Material Specifications

Face plate	Steel, Black glossy finish
Spring-based switch cover	Red, ABS
Mounting hole diameter	12.2mm (0.481")
Applicable switch	Standard 12.0 mm or 15/32" diameter mounting stems
Applicable switch handles	Standard 17.5 mm (11/16")

Rev	Date of issue	Revision Notes	Designed	Approved
A	05-06-2021	Initial Drawing	RC	OF