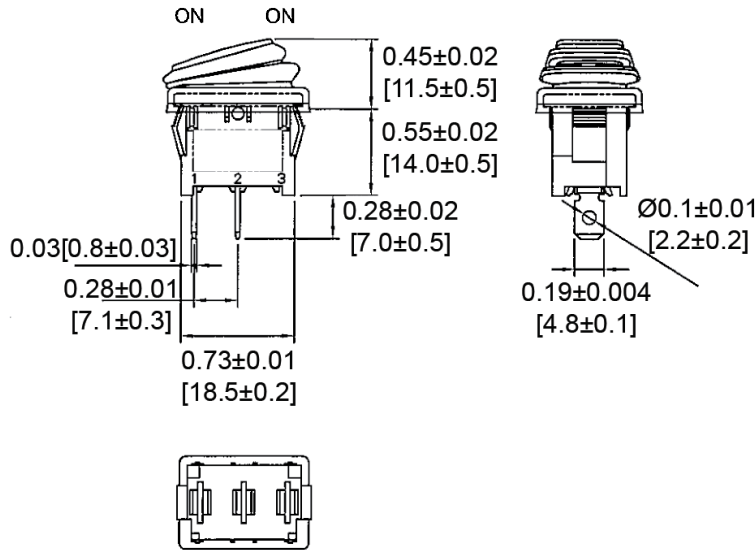
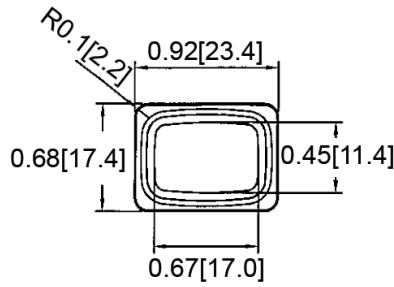
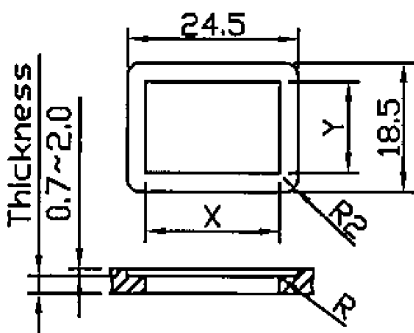


Mechanical Dimensions: Inches [mm]

less Otherwise Specified



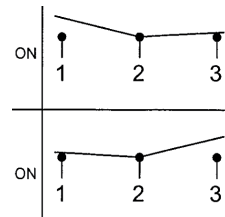
Mounting Hole



Thickness	X	Y
0.03~0.06 [0.75~1.5]	0.76-0.004 [19.4-0.1]	0.51+0.004 [13.0+0.1]
0.06~0.1 [1.5-2.5]	0.78-0.004 [19.8-0.1]	0.51+0.004 [13.0+0.1]

Circuit Diagram

3P SPDT ON-ON



Electrical Specifications

DC Rating	16A 12V DC, 6A 28V DC
AC Rating	16A 125V AC 1/3HP, 10A 250V AC 1/2HP 16(4)A 125/250V AC
Contact Resistance	50m ohm Max
Insulation Resistance	DC 500V 100M ohm Min
Dielectric Strength	AC 1500V 1 minute

Material Specifications

Frame	Black, Nylon 66
Actuator	Black, PC
Terminals	Silver plated , Copper alloy
Ingress Protection	IP-65 Black, silicone
Operation Temperature	-20°C~85°C

Rev	Date of issue	Revision Notes	Designed	Approved
B	06-08-2021	Initial Drawing	RC	OF