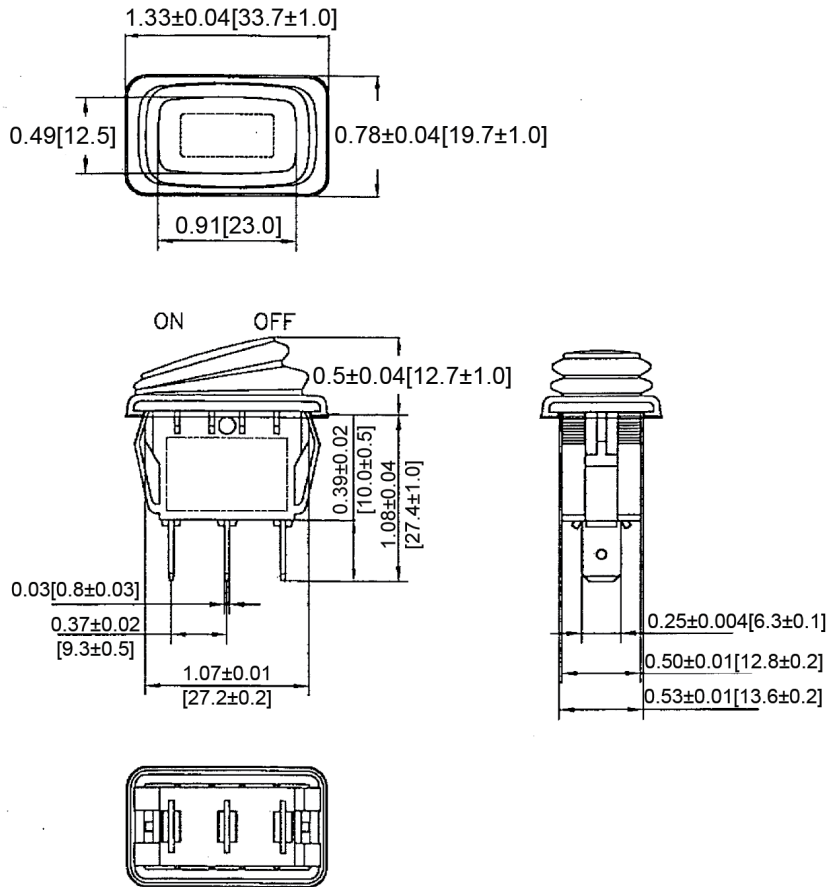
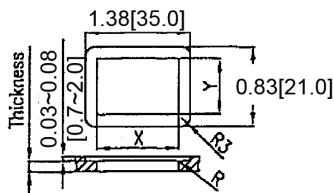


## Mechanical Dimensions: Inches [mm]

Tolerances  $\pm 0.012$  [0.3] Unless Otherwise Specified



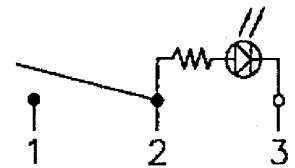
## Mounting Hole



Thickness	X	Y
0.03~0.1 [0.75~2.5]	1.09 [27.6-0.1]	0.5 [13.8+0.1]
0.1~0.14 [2.5~3.5]	1.09 [27.8-0.1]	0.5 [13.8+0.1]
0.14~0.18 [3.5~4.5]	1.10 [28.0-0.1]	0.5 [13.8+0.1]

## Circuit Diagram

3P SPST OFF-ON (LED-D)



## Electrical Specifications

Rating	16A 12VDC		Frame	Black, Nylon 66
Contact Resistance	50m ohm Max.		Actuator	Amber, Nylon#66+30%GF
Insulation Resistance	DC 500V 100M ohm Min.		Terminals	1,2: Copper alloy, Silver plated 3: Brass alloy
Dielectric Strength	AC 1500V 1 minute		LED	Amber (Dependent)
Operation Temperature	-25° C-85° C		Ingress Protection	IP65, Black Silicone Rubber

Rev	Date of issue	Revision Notes	Designed	Approved
B	05-04-2020	Initial Drawing	RC	OF