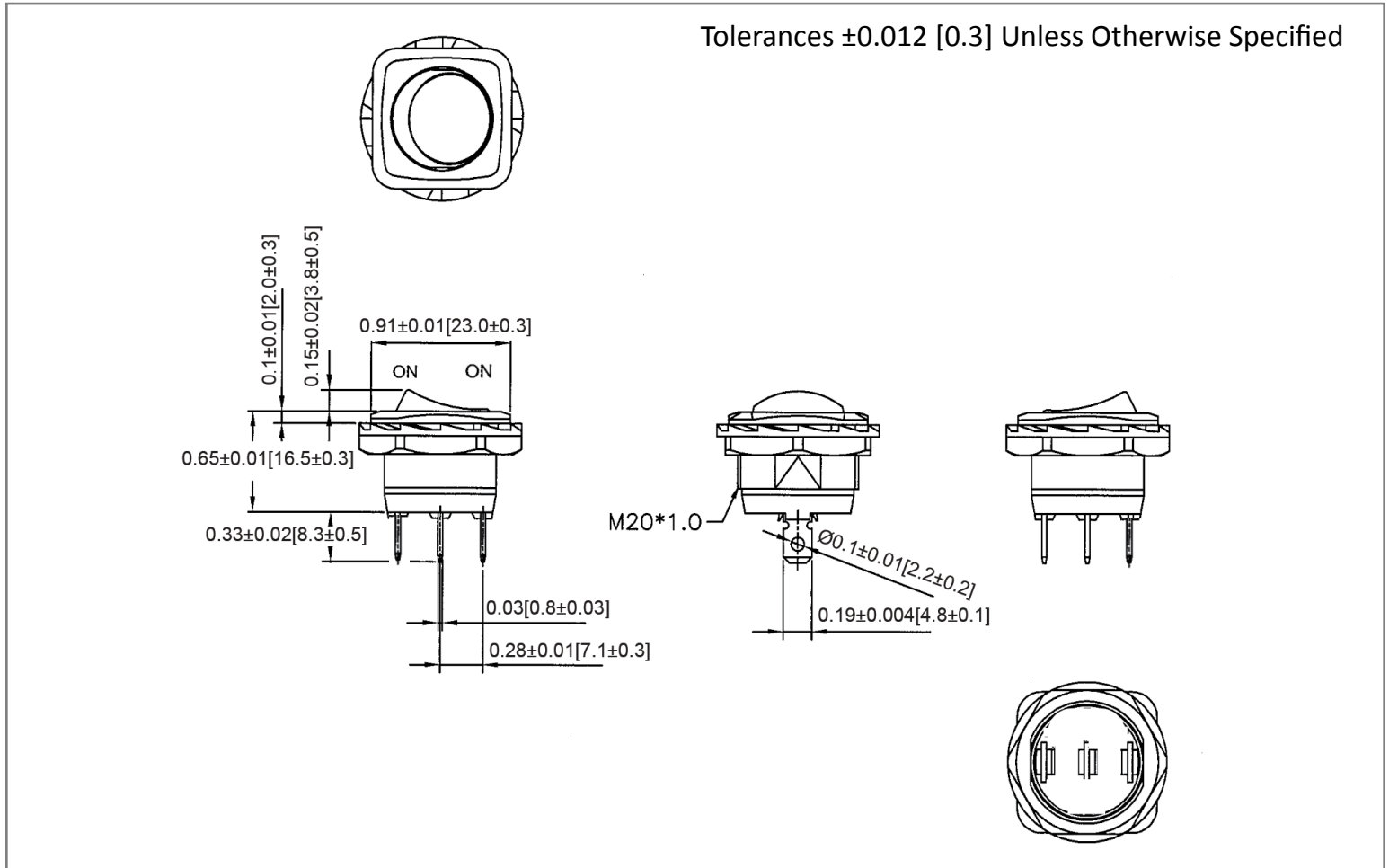
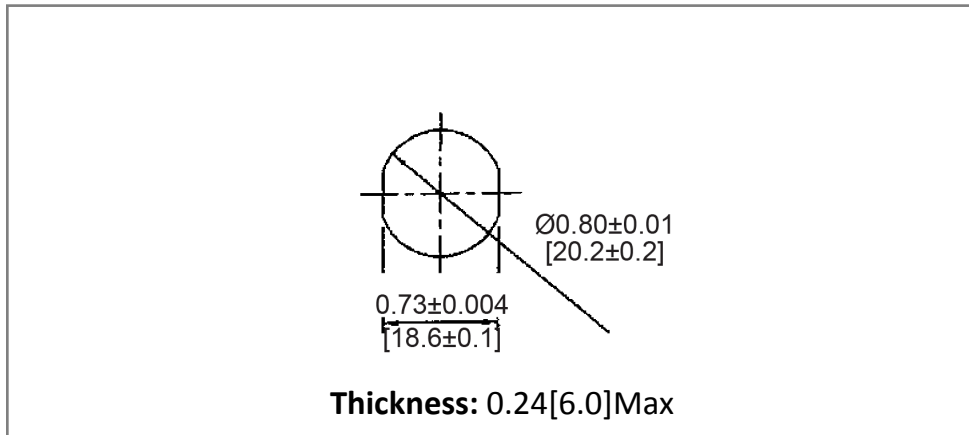


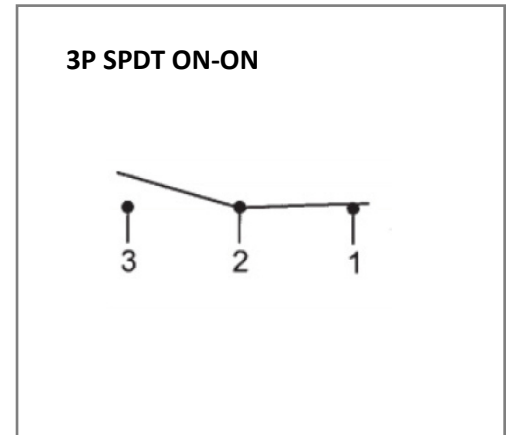
**Mechanical Dimensions: Inches [mm]**



**Mounting Hole**



**Circuit Diagram**



**Electrical Specifications**

<b>DC Rating</b>	20A 14V DC
<b>AC Rating</b>	16A 125V AC, 10A 250V AC 16(4)A 125/250V AC
<b>Contact Resistance</b>	50m ohm Max
<b>Insulation Resistance</b>	DC 500V 100M ohm Min
<b>Dielectric Strength</b>	AC 1500V 1 minute

**Material Specifications**

<b>Frame</b>	Black, Nylon 66+33%GF
<b>Actuator</b>	Black, Nylon 66
<b>Operation Temperature</b>	-25°C~85°C

Rev	Date of issue	Revision Notes	Designed	Approved
B	06-08-2021	Initial Drawing	RC	OF