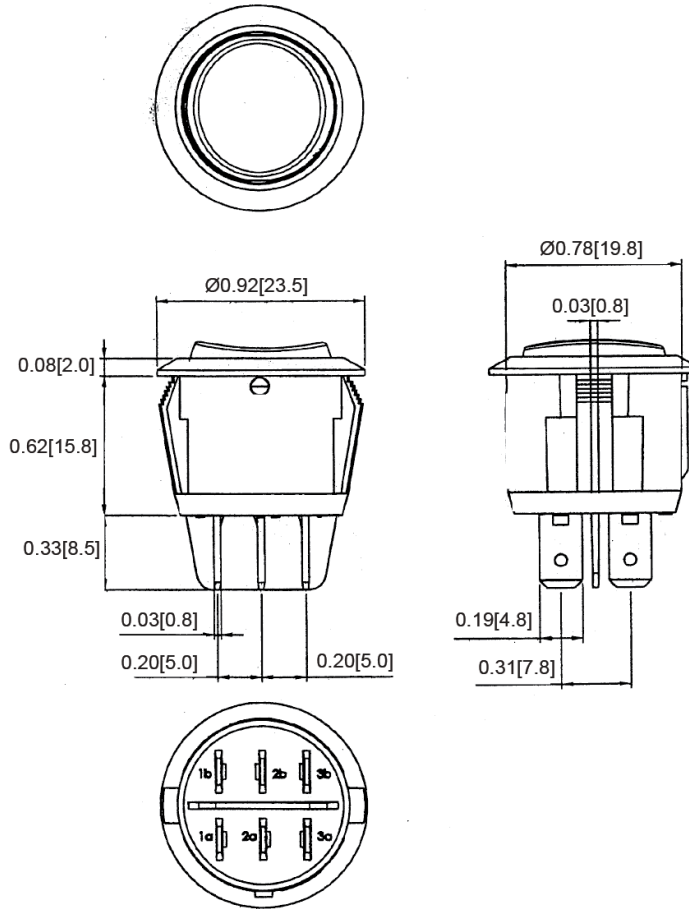
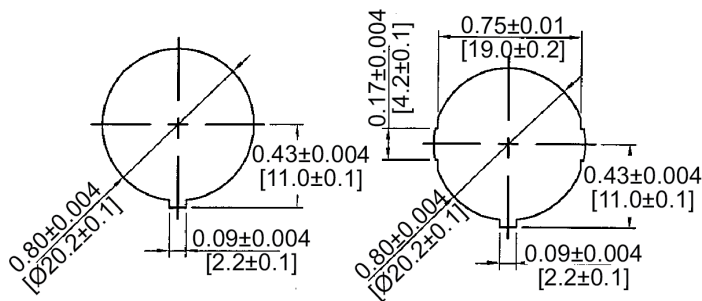


Mechanical Dimensions: Inches [mm]

Tolerances ± 0.012 [0.3] Unless Otherwise Specified



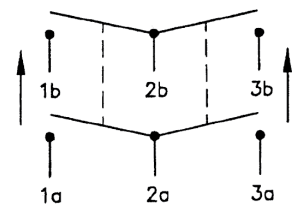
Mounting Hole



Thickness: 0.1~0.12 [2.0~3.0] | 0.03~0.12 [0.7~3.0]

Circuit Diagram

6P DPDT (ON)-OFF-(ON)



Electrical Specifications

| | | |
|-----------------------|----------------------|--|
| Rating | 10A 28V DC | |
| Contact Resistance | 50m ohm Max | |
| Insulation Resistance | DC 500V 100M ohm Min | |
| Dielectric Strength | AC 1500V 1 minute | |
| Operation Temperature | -25°C~85°C | |

Material Specifications

| | |
|----------|-------------------------|
| Frame | Black, Nylon#66 (94-V2) |
| Actuator | Black, Nylon#66 (94-V2) |
| | |
| | |

| Rev | Date of issue | Revision Notes | Designed | Approved |
|-----|---------------|-----------------|----------|----------|
| B | 06-08-2021 | Initial Drawing | RC | OF |