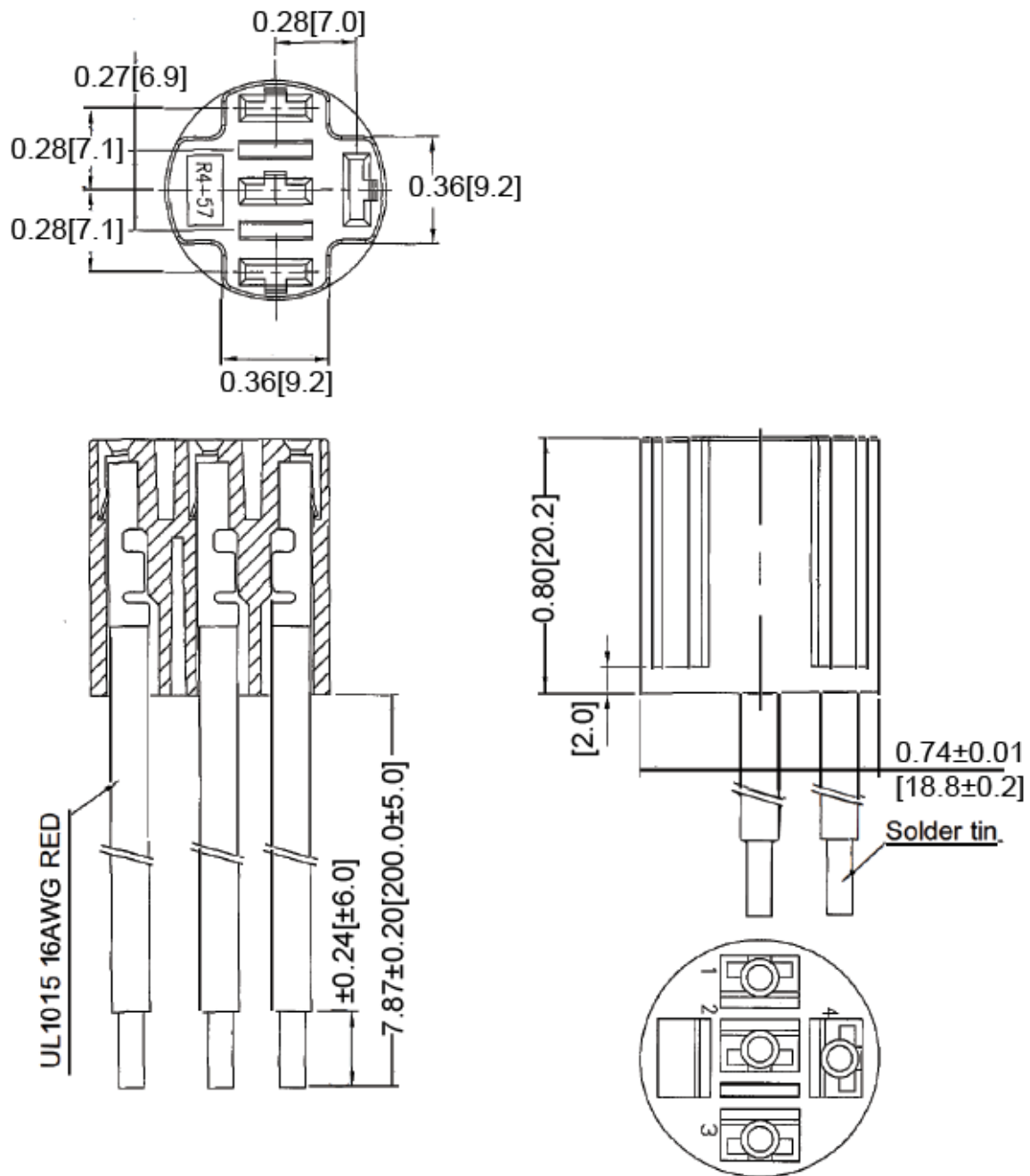


Mechanical Dimensions: Inches [mm]

Tolerances ± 0.012 [0.3] Unless Otherwise Specified

Material Specifications

Black, Nylon 66, 101L

Applicable terminals: 0.187" * 0.03t (4.8 * 0.8t mm)

16 AWG wire

Rev	Date of issue	Revision Notes	Designed	Approved
B	02-26-2020	Initial Drawing	RC	OF