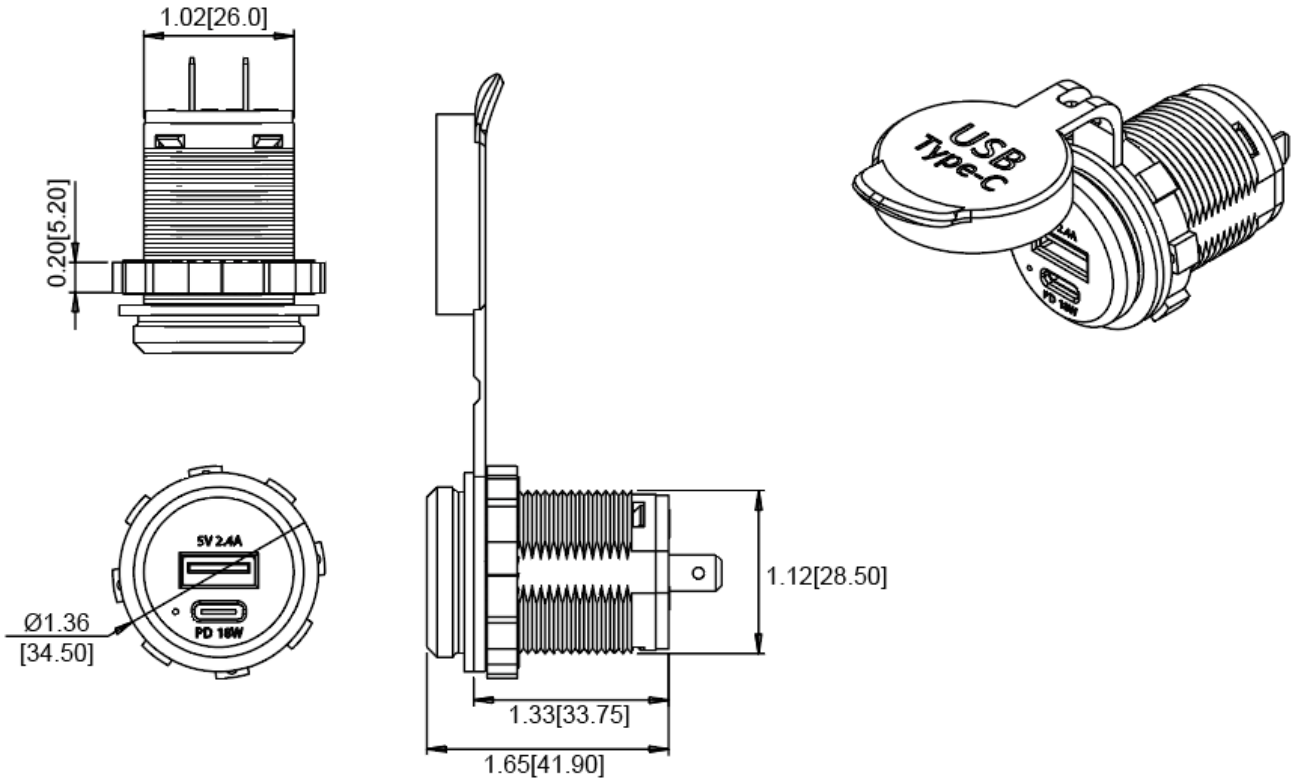
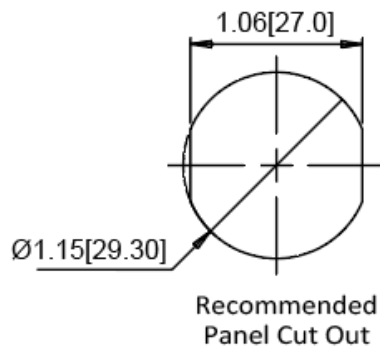


**Mechanical Dimensions: Inches [mm]**

Tolerances  $\pm 0.012$  [0.3] Unless Otherwise Specified



**Mounting Hole**



**Electrical Specifications**

<b>Input Rating</b>	12/24V
<b>Output rating (12VDC input)</b>	Type A output: 5V 2.4A Type C PD output: 5V-12V; 18W max Type A + C output: 5V 2.4A + 5V 2.4A
<b>Output rating (24VDC input)</b>	Type A output: 5V 2.4A Type C PD output: 5V-12V; 18W max Type A + C output: 5V 2.4A + 5V 2.4A
USB-A & PD (Power Delivery) USB-C	
Includes OVP, OCP, OTP, SCP, and RPP	

**Material Specifications**

LED Power Indicator	
<b>Ingress Protection</b>	IP66 (When not in use and cap is securely closed)

**Rev      Date of issue      Revision Notes**

**Designed      Approved**

D	05-08-2025	Initial Drawing	RC	OF
---	------------	-----------------	----	----