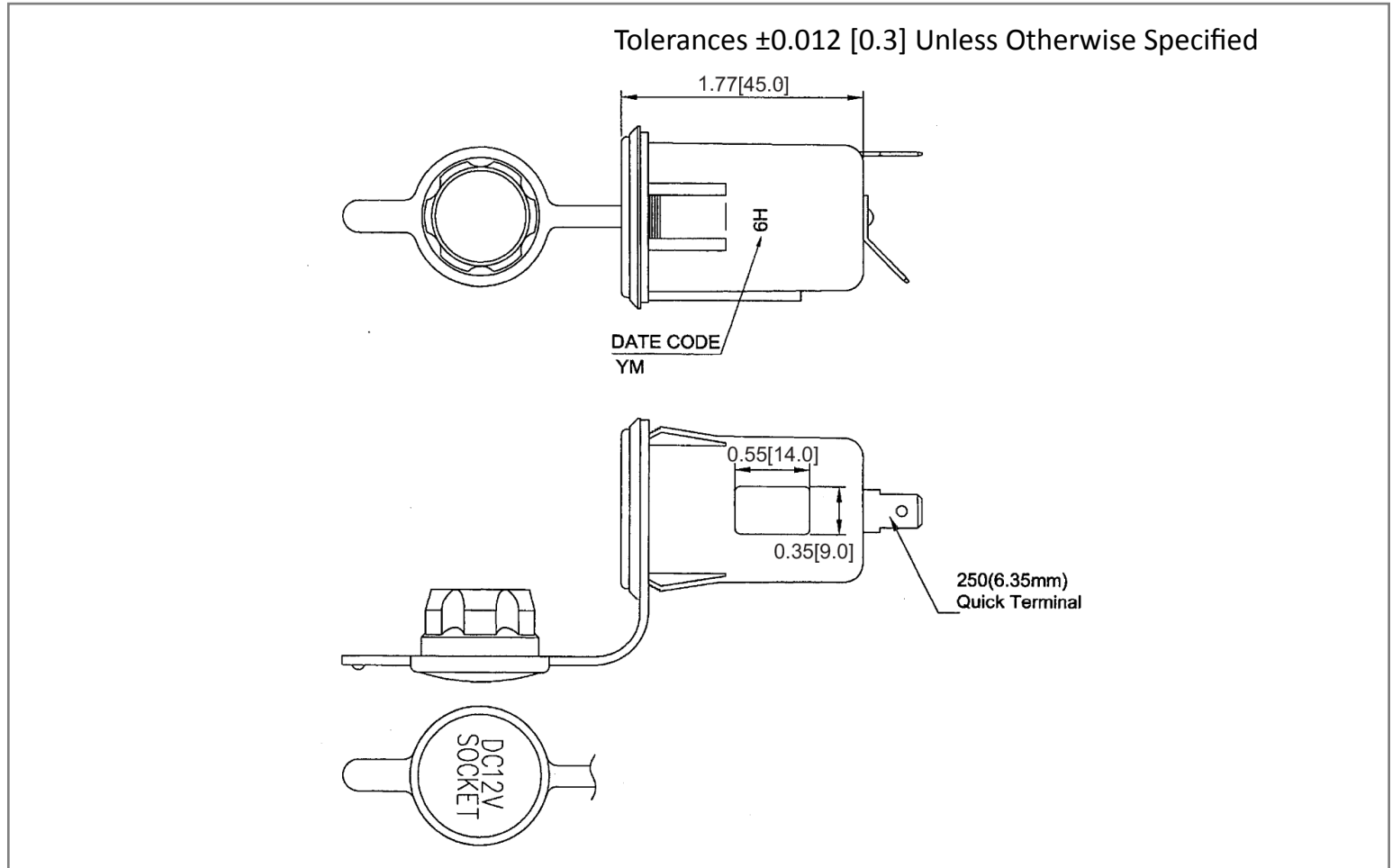
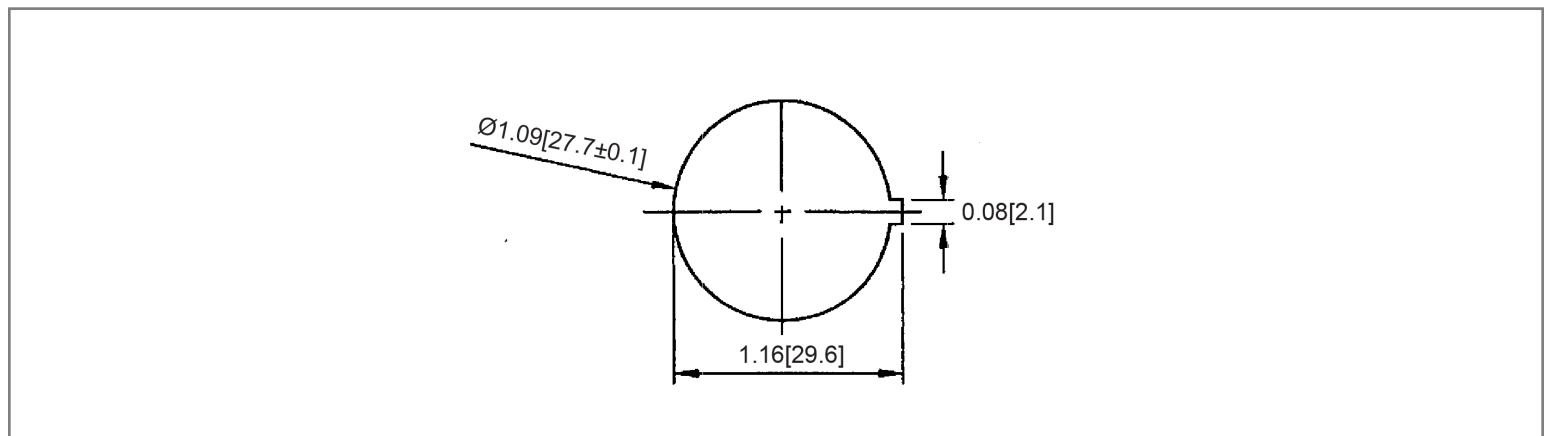


Mechanical Dimensions: Inches [mm]



Mounting Hole



Electrical Specifications

Input Rating	12/24V
Output Rating	10A 12VDC
Insulation Resistance	DC 500V 100M ohms
Dielectric Strength	AC 1500V 1 min
Operating Temperature	0°C ~ 65°C

Material Specifications

Housing	Nylon (UL94V-2), Black

Rev Date of issue Revision Notes

Designed Approved

A	11-30-2020	Initial Drawing	RC	OF
---	------------	-----------------	----	----