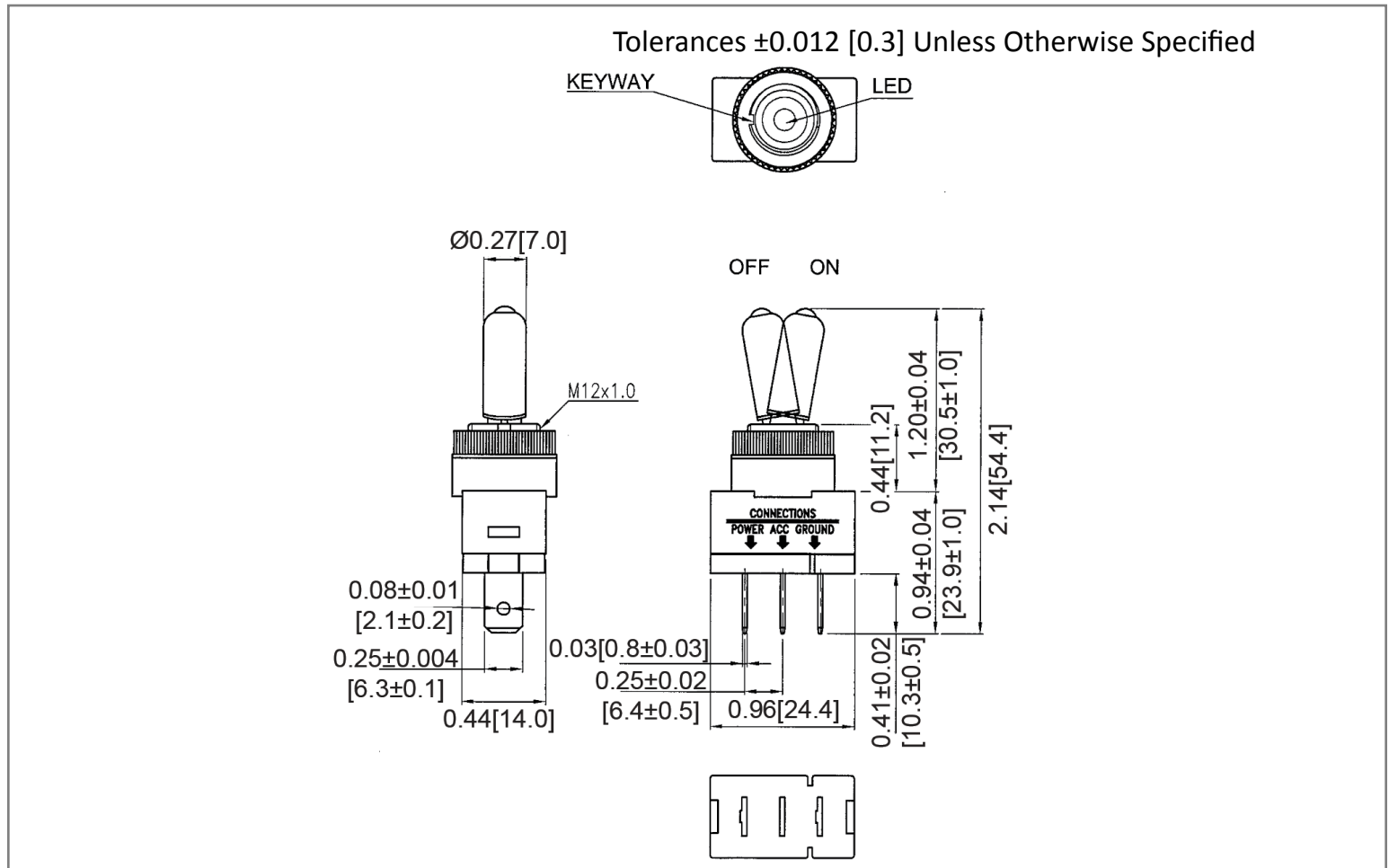
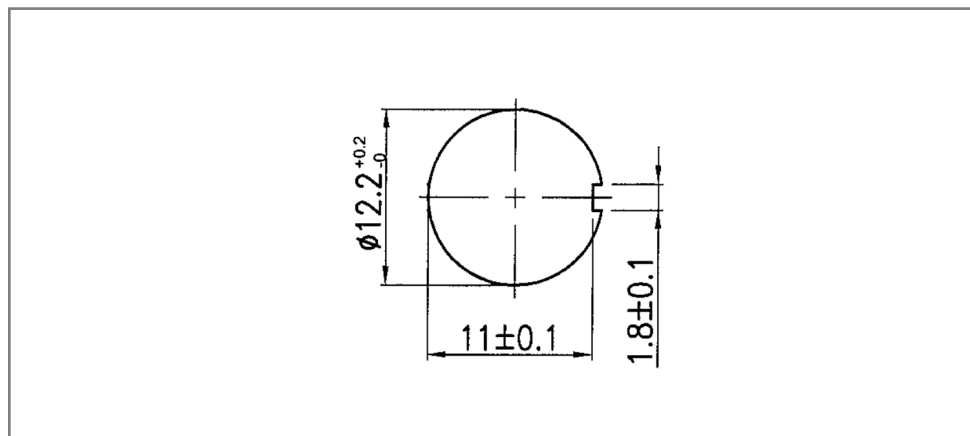


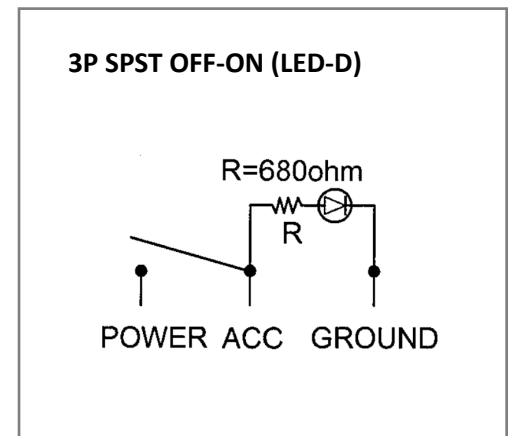
## Mechanical Dimensions: Inches [mm]



## Mounting Hole



## Circuit Diagram



## Electrical Specifications

<b>Rating</b>	20A 12V DC
<b>Contact Resistance</b>	50m ohm Max
<b>Insulation Resistance</b>	DC 500V 100M ohm Min
<b>Dielectric Strength</b>	AC 1500V 1 minute

## Material Specifications

<b>Frame</b>	Black, PC
<b>Base</b>	Black, PBT
<b>Handle</b>	Black, Nylon#66+33%GF
<b>Terminals</b>	Brass Alloy
<b>LED</b>	Blue (Dependent)

**Rev**    **Date of issue**    **Revision Notes**

**Designed**    **Approved**

B	07-13-2021	Initial Drawing	RC	OF
---	------------	-----------------	----	----