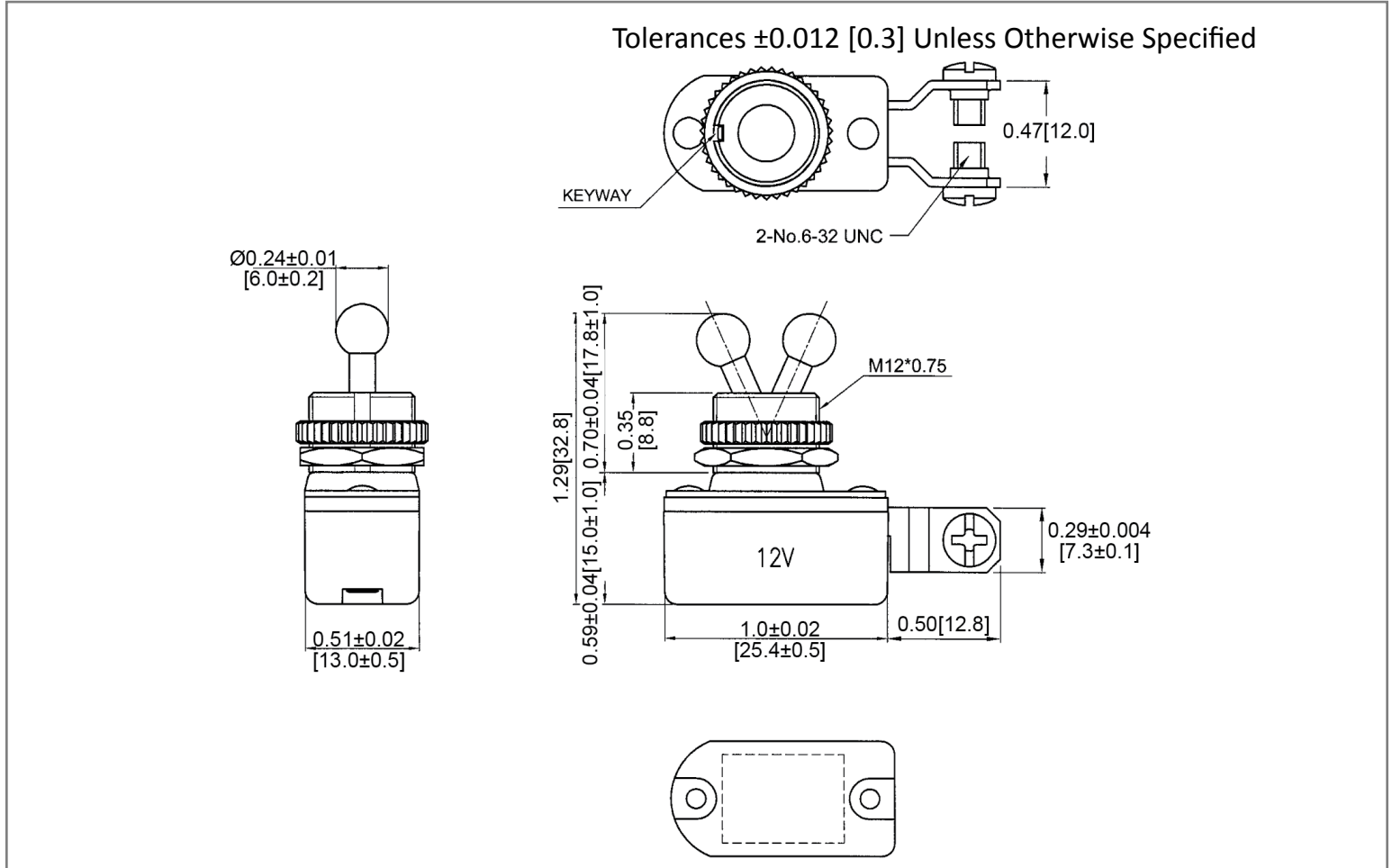
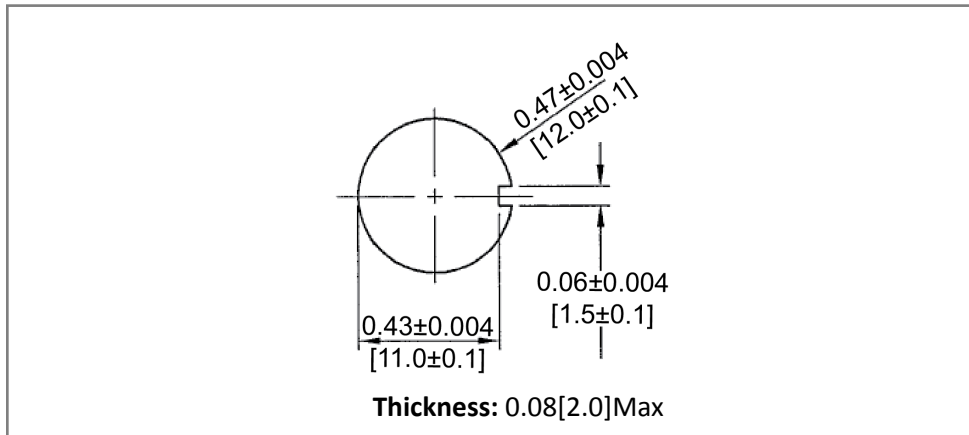


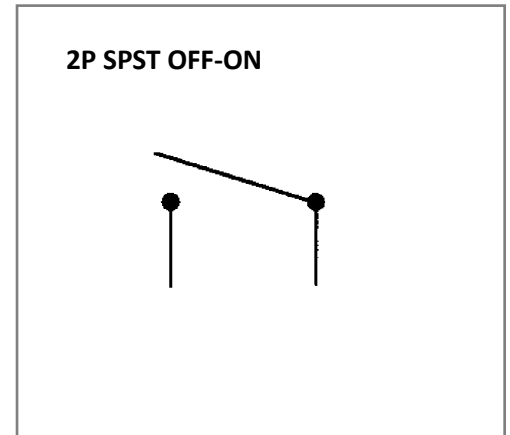
Mechanical Dimensions: Inches [mm]



Mounting Hole



Circuit Diagram



Electrical Specifications

DC Rating	6A 12V DC
AC Rating	6A 125V AC, 3A 250V AC
Contact Resistance	50m ohm Max
Insulation Resistance	DC 500V 100M ohm Min
Dielectric Strength	AC 1000V 1 minute

Material Specifications

	1 HEX NUT ASSY
	1 KNURL NUT ASSY

Rev **Date of issue** **Revision Notes**

Designed **Approved**

B	07-13-2021	Initial Drawing	RC	OF
---	------------	-----------------	----	----