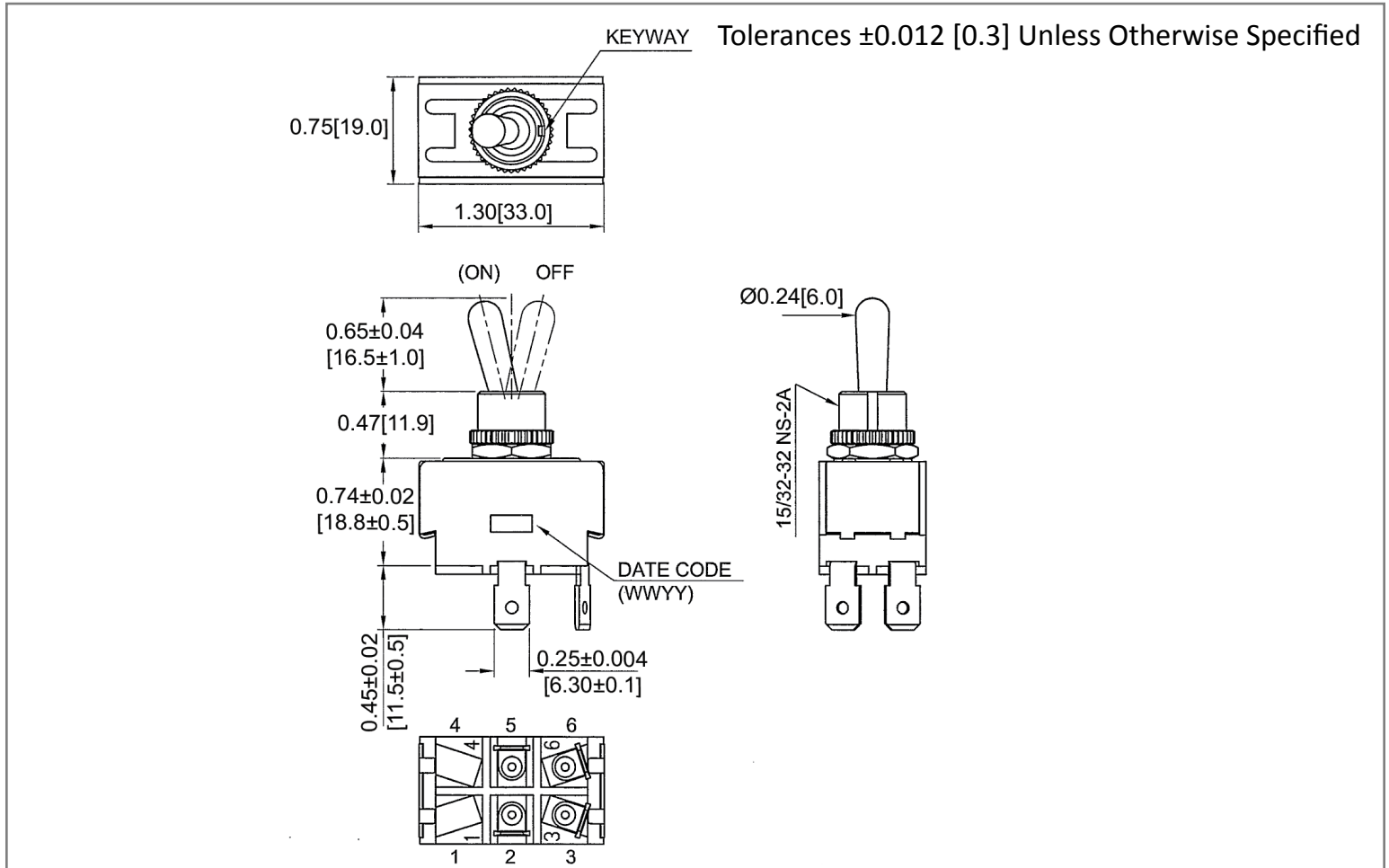
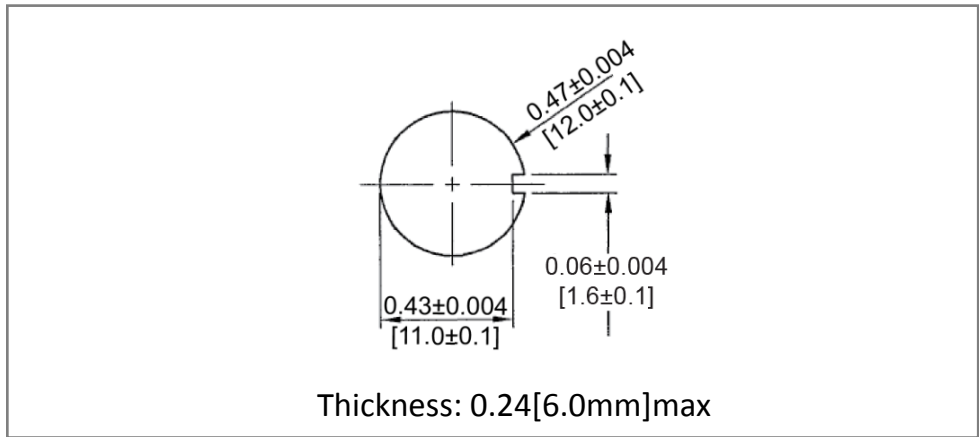


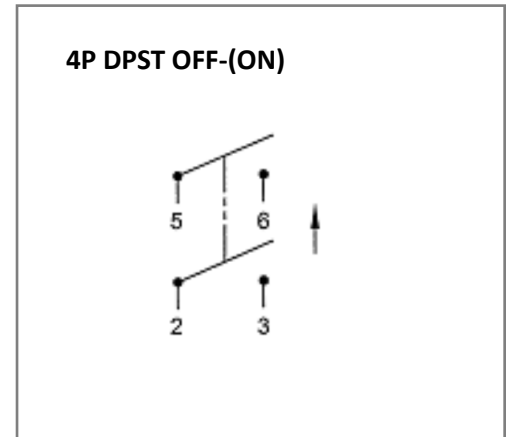
**Mechanical Dimensions: Inches [mm]**



**Mounting Hole**



**Circuit Diagram**



**Electrical Specifications**

<b>Rating</b>	20A 125V AC, 10A 277V AC, 1 1/2HP 125-250V AC 10(4)A 125/250V AC
<b>Contact Resistance</b>	50m ohm Max
<b>Insulation Resistance</b>	DC 500V 100M ohm Min
<b>Dielectric Strength</b>	AC 1500V 1 minute
<b>Operation Temperature</b>	1200gf $\pm$ 300gf

**Material Specifications**

1 hex nut assy
1 knurl nut assy

<b>Rev</b>	<b>Date of issue</b>	<b>Revision Notes</b>	<b>Designed</b>	<b>Approved</b>
B	11-30-2021	Initial Drawing	RC	OF