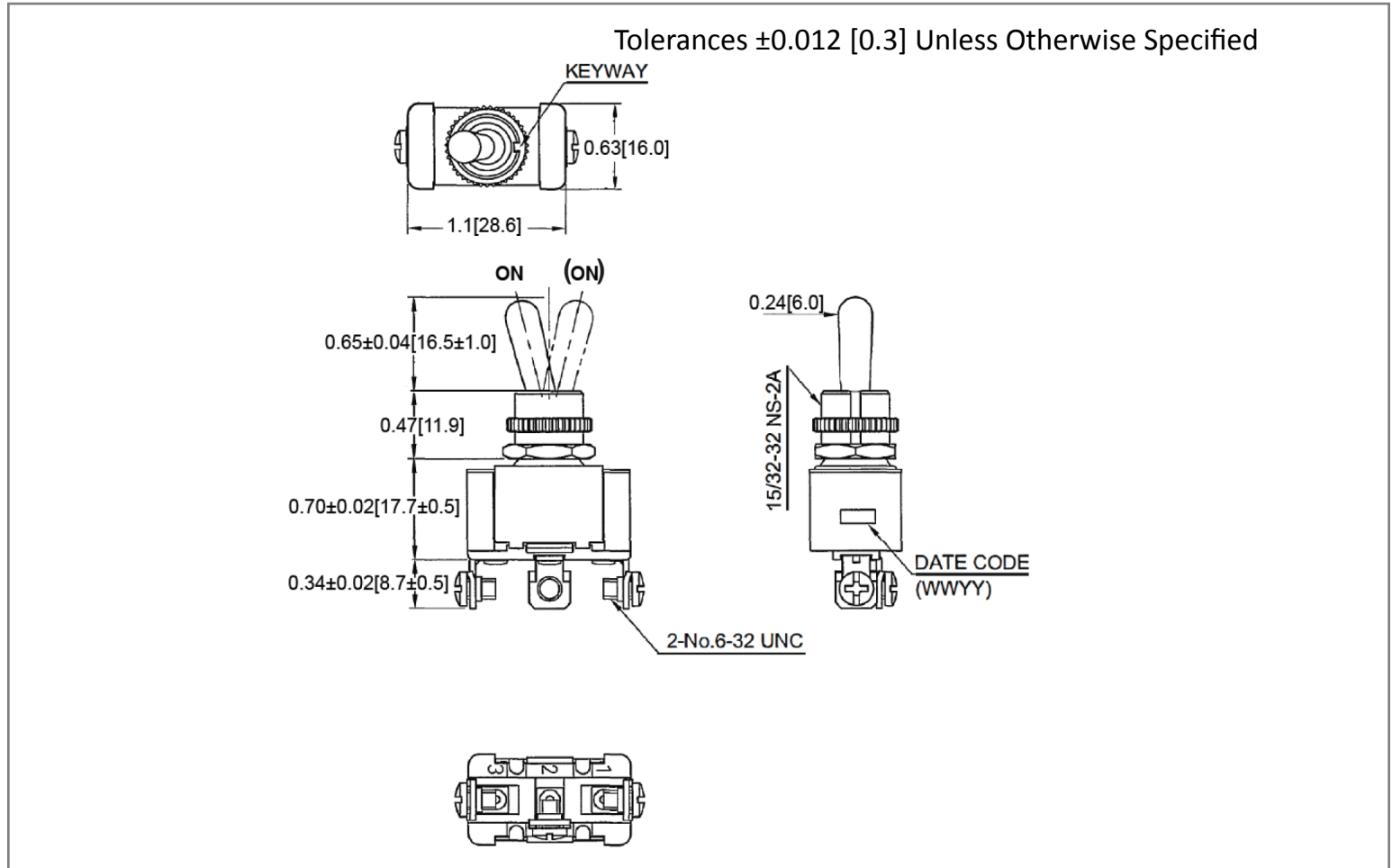
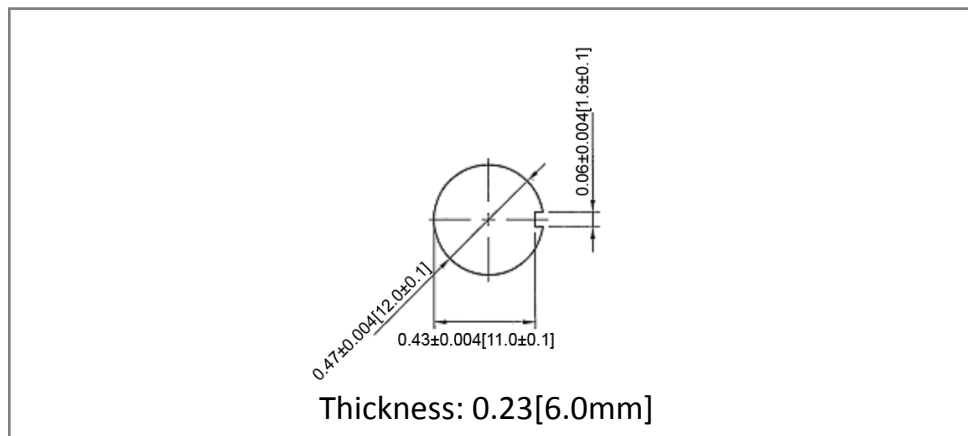


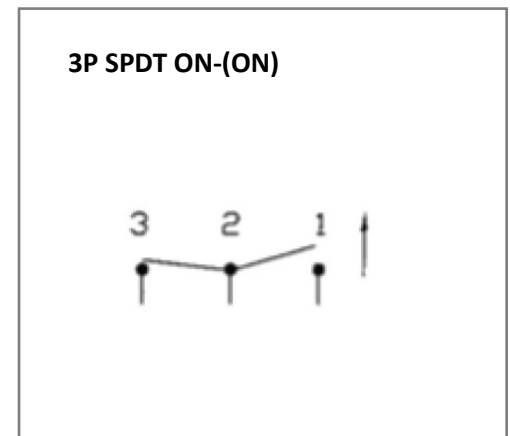
Mechanical Dimensions: Inches [mm]



Mounting Hole



Circuit Diagram



Electrical Specifications

DC Rating	21A 14V DC
AC Rating	20A 125V AC, 10A 277V AC, 3/4HP 125-250V AC 12(4)A 125/250V AC
Contact Resistance	50m ohm Max
Insulation Resistance	DC 500V 100M ohm Min
Dielectric Strength	AC 1500V 1 minute

Material Specifications

Operation Force	700gf±250gf
	1 hex nut assy
	1 knurl nut assy
Operation Temperature	-20°C ~ 85°C

Rev **Date of issue** **Revision Notes**

Designed **Approved**

B	02-26-2020	Initial Drawing	RC	OF
---	------------	-----------------	----	----