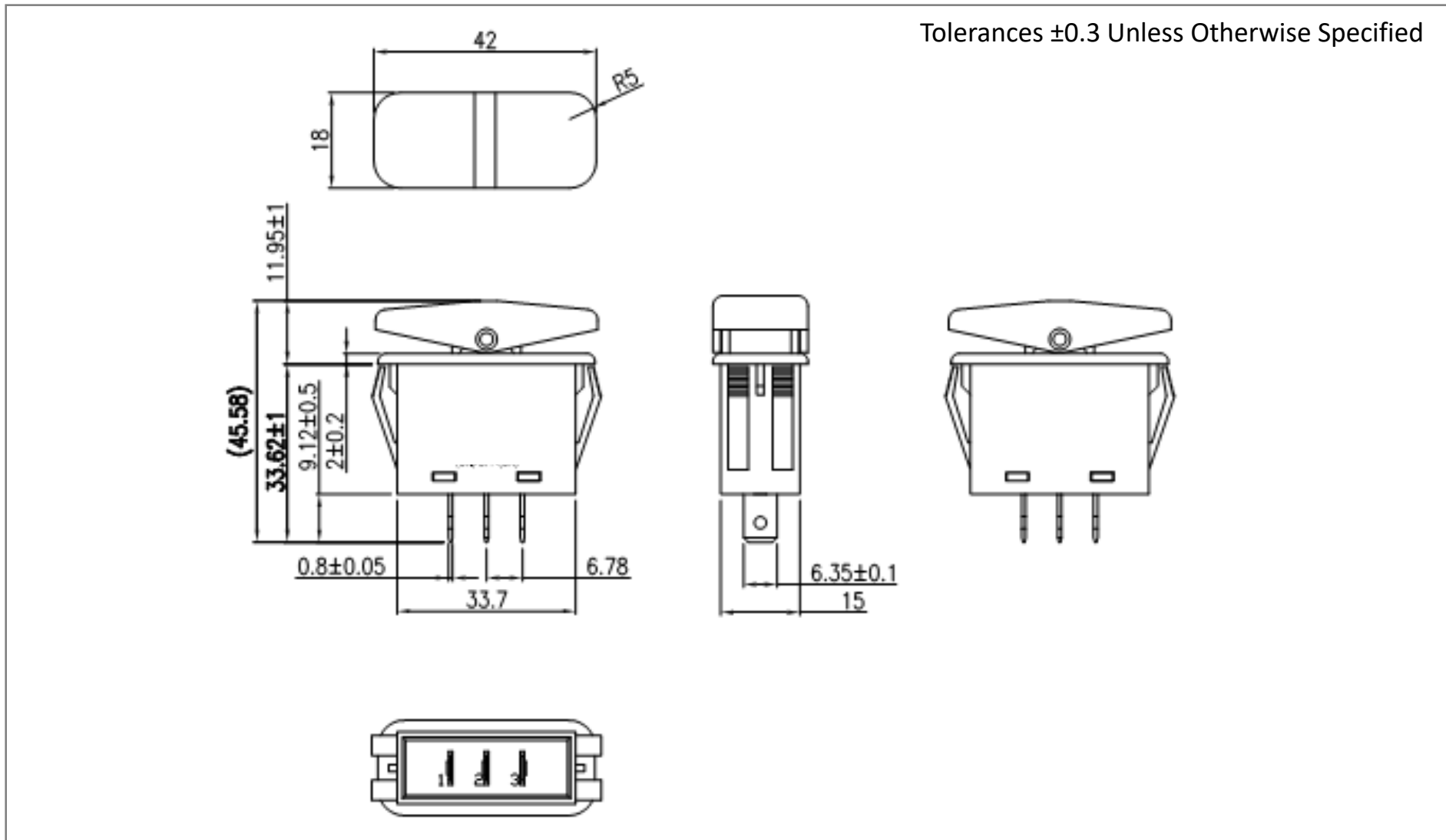
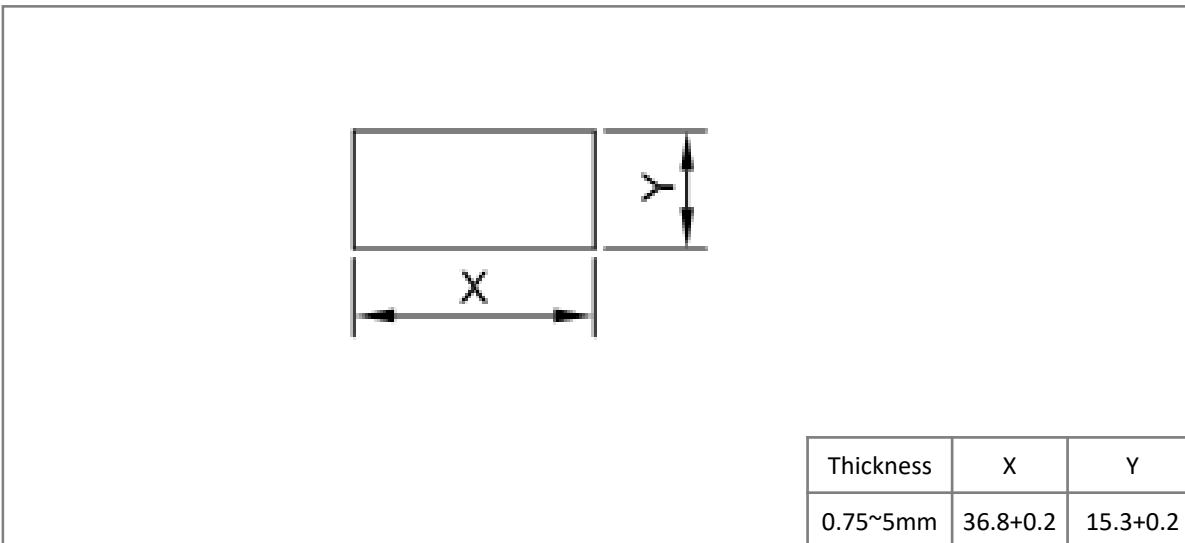


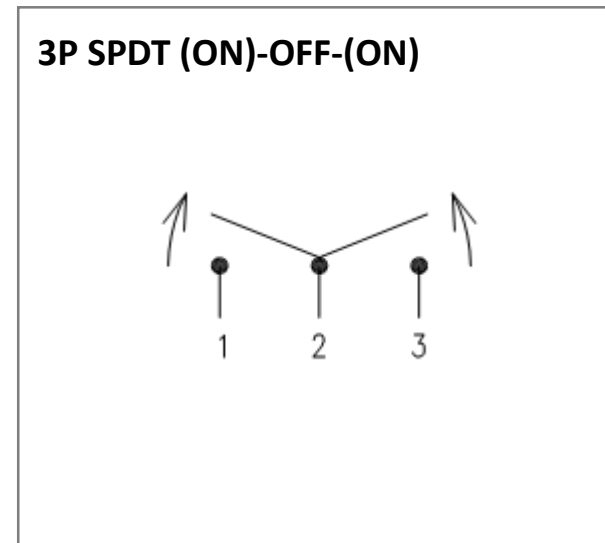
Mechanical Dimensions (mm)



Mounting Hole



Circuit Diagram



Electrical Specifications

DC Rating	20A 14V DC, 10A 24V DC
AC Rating	20A 125V AC, 10A 250V AC, 3/4 HP 125-250V AC10(4)A 250V AC
Contact Resistance	50m ohm Max.
Insulation Resistance	DC 500V 100M ohm Min.
Dielectric Strength	AC 1500V 1 minute

Material Specifications

Frame	Black, Nylon 66+33%BF
Actuator	Black, Nylon 66
Terminals	Copper alloy, Silver plated
Ingress Protection	IP56
Operation Temperature	-20°C~85°C