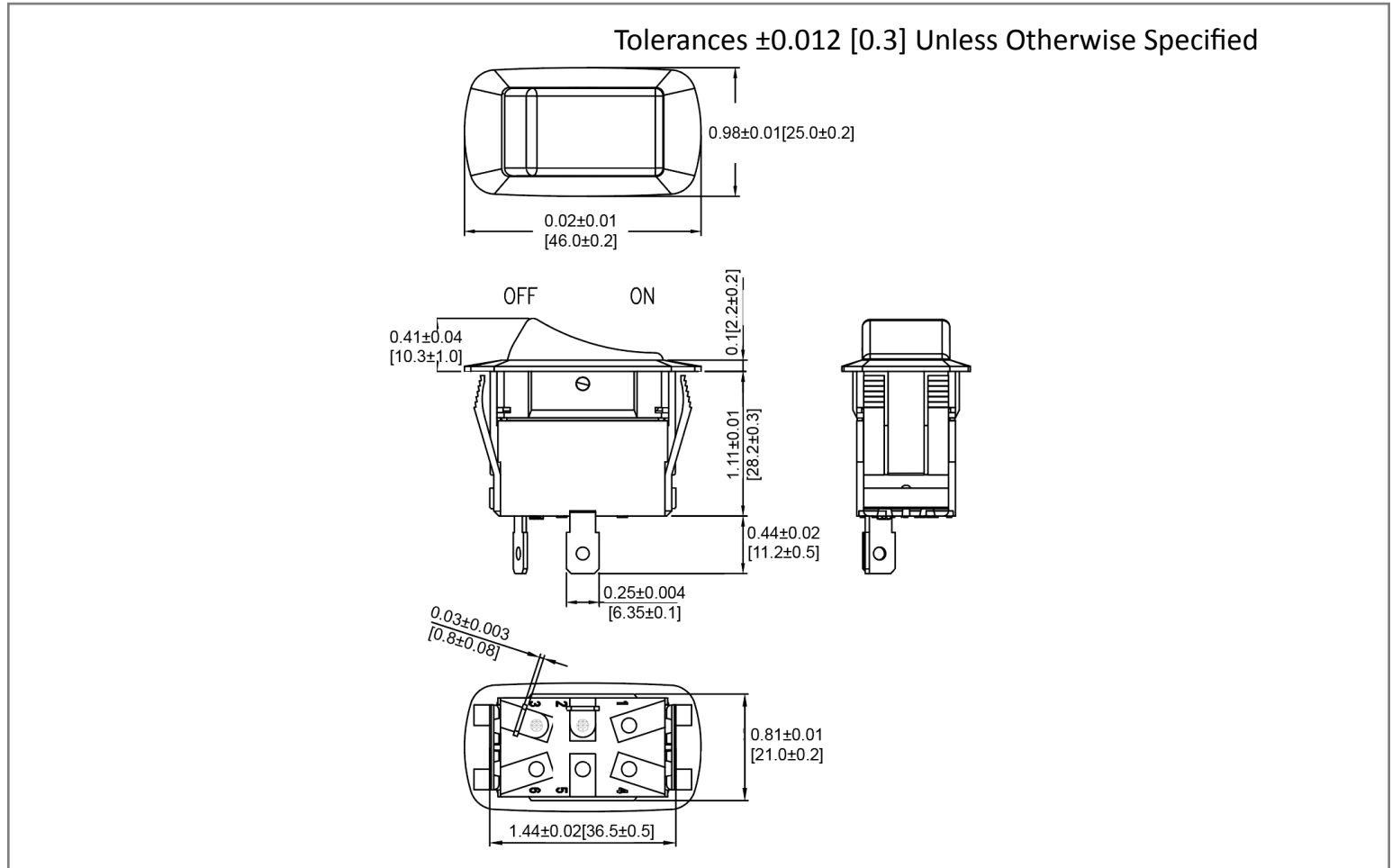
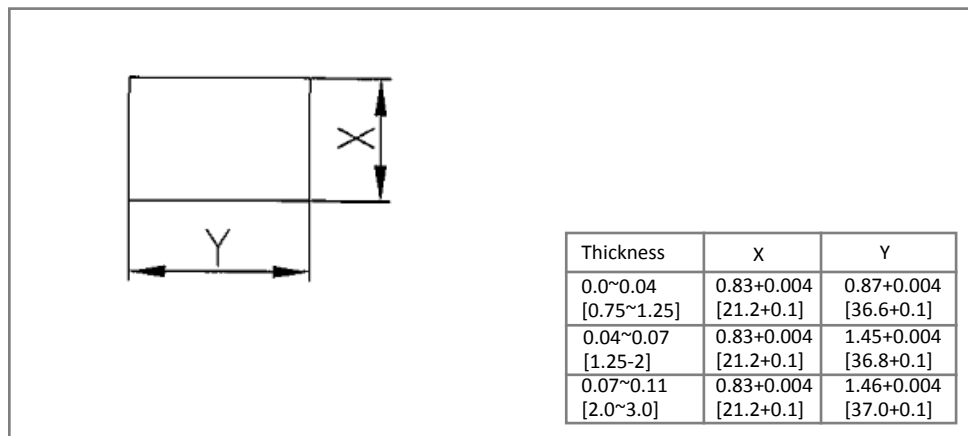


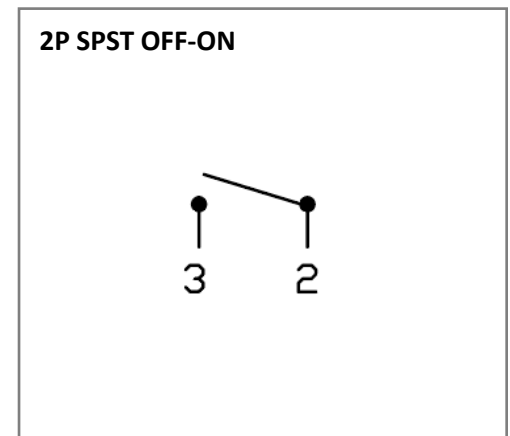
Mechanical Dimensions: Inches [mm]



Mounting Hole



Circuit Diagram



Electrical Specifications

Rating	16A 125VAC 10A 277VAC 3/4HP 16(4)A 125/250V AC
Contact Resistance	50m ohm Max.
Insulation Resistance	DC 500V 100M ohm Min
Dielectric Strength	AC 1500V 1 minute
Operation Temperature	-20°C ~ 85°C

Material Specifications

Frame	Black, Nylon 66
Actuator	Black, Nylon 66+33%GF
Waterproof	IP56

Rocker Switch

SRB1-1A-AC-1-NN



Rev Date of issue Revision Notes

Designed Approved

A	12-01-2021	Initial Drawing	RC	OF
---	------------	-----------------	----	----