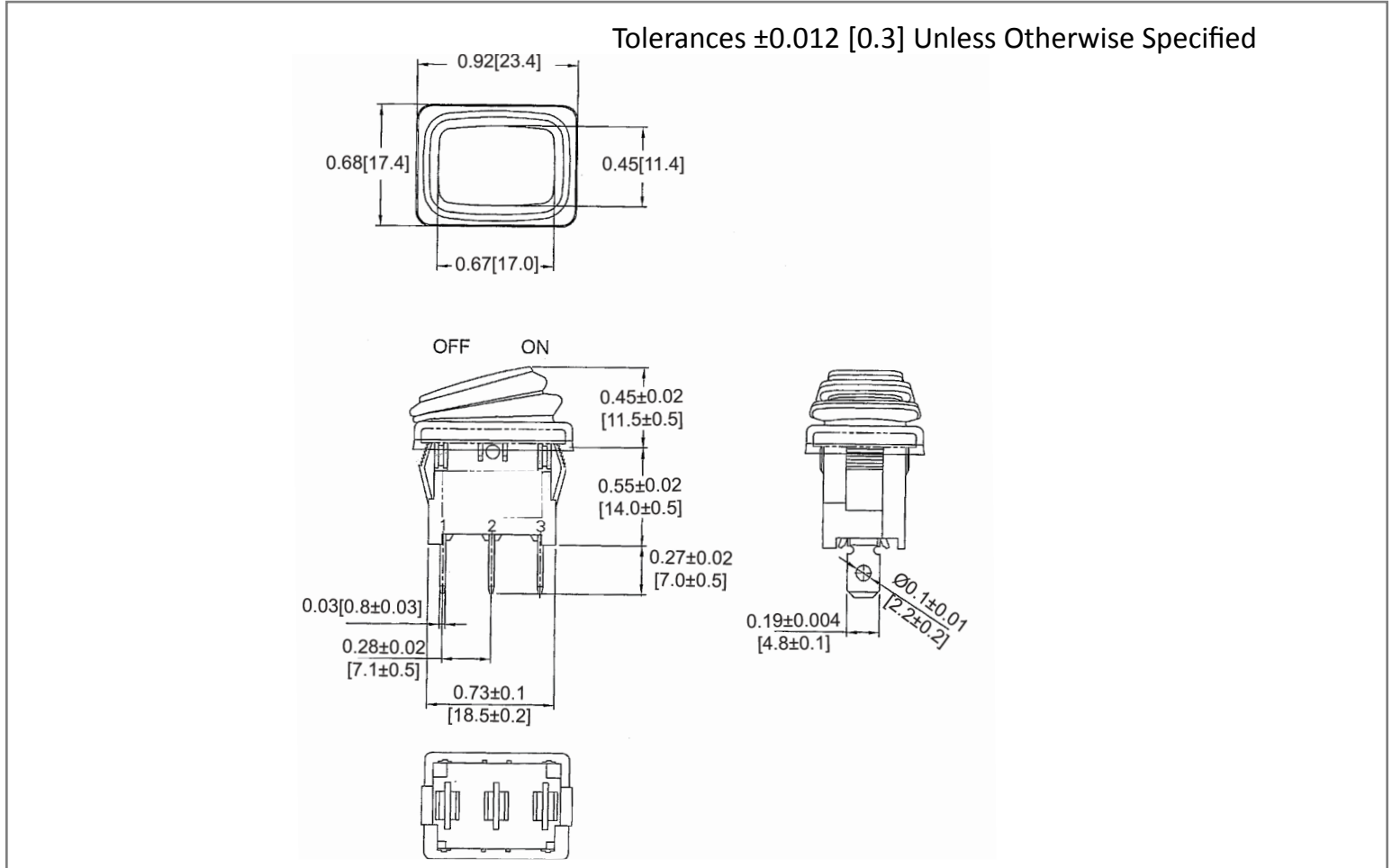
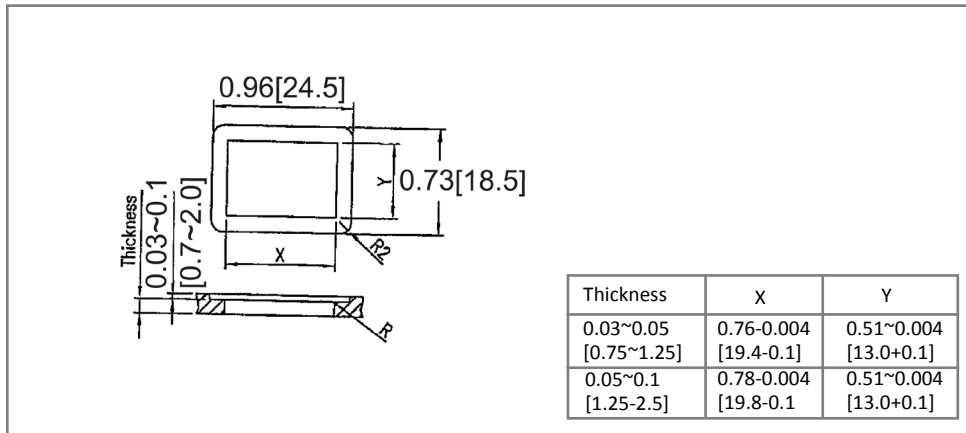


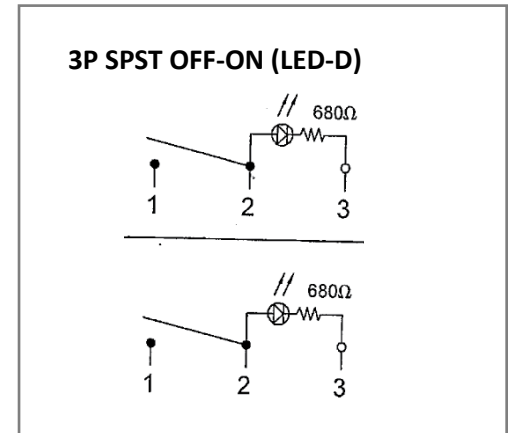
## Mechanical Dimensions: Inches [mm]



## Mounting Hole



## Circuit Diagram



## Electrical Specifications

Rating	16A 12V DC	
Contact Resistance	50m ohm Max	
Insulation Resistance	DC 500V 100M ohm Min	
Dielectric Strength	AC 1500V 1 minute	
Operation Temperature	-25°C~85°C	

## Material Specifications

Frame	Black, Nylon 66 (94-V2)
Actuator	Yellow, PC(94-V2)
LED	Yellow (Dependent)
Ingress Protection	IP65 Black, Silicone

Rev	Date of issue	Revision Notes	Designed	Approved
B	07-13-2021	Initial Drawing	RC	OF