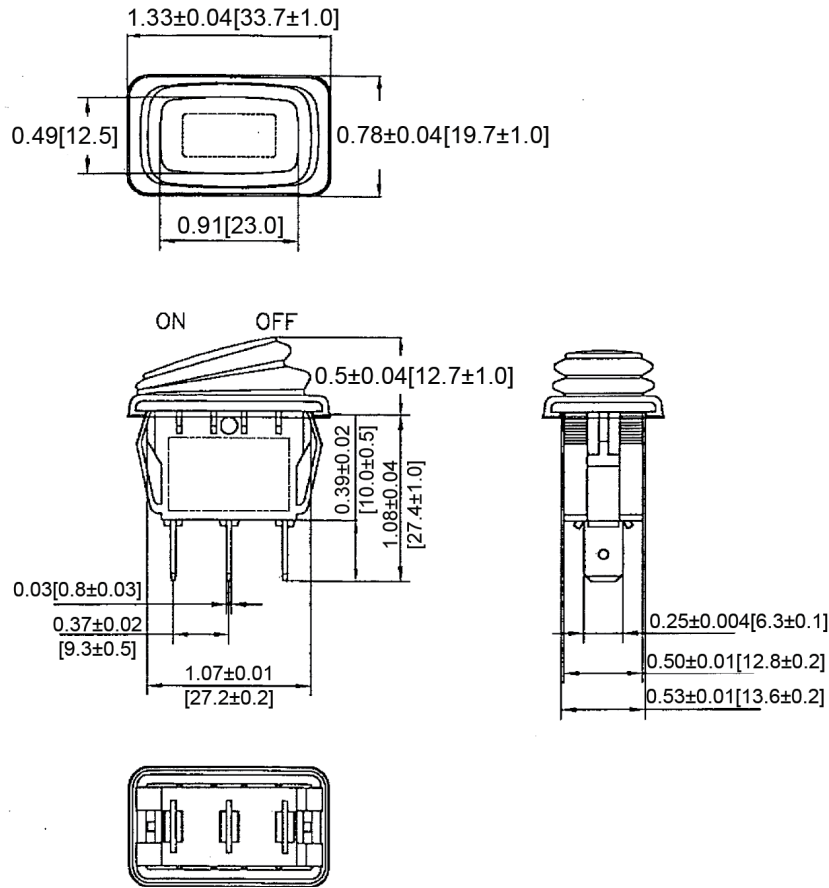
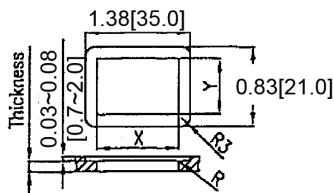


Mechanical Dimensions: Inches [mm]

Tolerances ± 0.012 [0.3] Unless Otherwise Specified



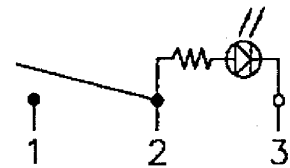
Mounting Hole



| Thickness | X | Y |
|---------------------|-----------------|----------------|
| 0.03~0.1 [0.75~2.5] | 1.09 [27.6-0.1] | 0.5 [13.8+0.1] |
| 0.1~0.14 [2.5~3.5] | 1.09 [27.8-0.1] | 0.5 [13.8+0.1] |
| 0.14~0.18 [3.5~4.5] | 1.10 [28.0-0.1] | 0.5 [13.8+0.1] |

Circuit Diagram

3P SPST OFF-ON (LED-D)



Electrical Specifications

| | | | |
|-----------------------|-----------------------|--------------------|--|
| Rating | 16A 12VDC | Frame | Black, Nylon 66 |
| Contact Resistance | 50m ohm Max. | Actuator | Red, Nylon#66+30%GF |
| Insulation Resistance | DC 500V 100M ohm Min. | Terminals | 1,2: Copper alloy, Silver plated 3: Brass alloy |
| Dielectric Strength | AC 1500V 1 minute | LED | Red (Dependent) |
| Operation Temperature | -25° C-85° C | Ingress Protection | IP65, Black Silicone Rubber |

| Rev | Date of issue | Revision Notes | Designed | Approved |
|-----|---------------|-----------------|----------|----------|
| B | 05-04-2020 | Initial Drawing | RC | OF |