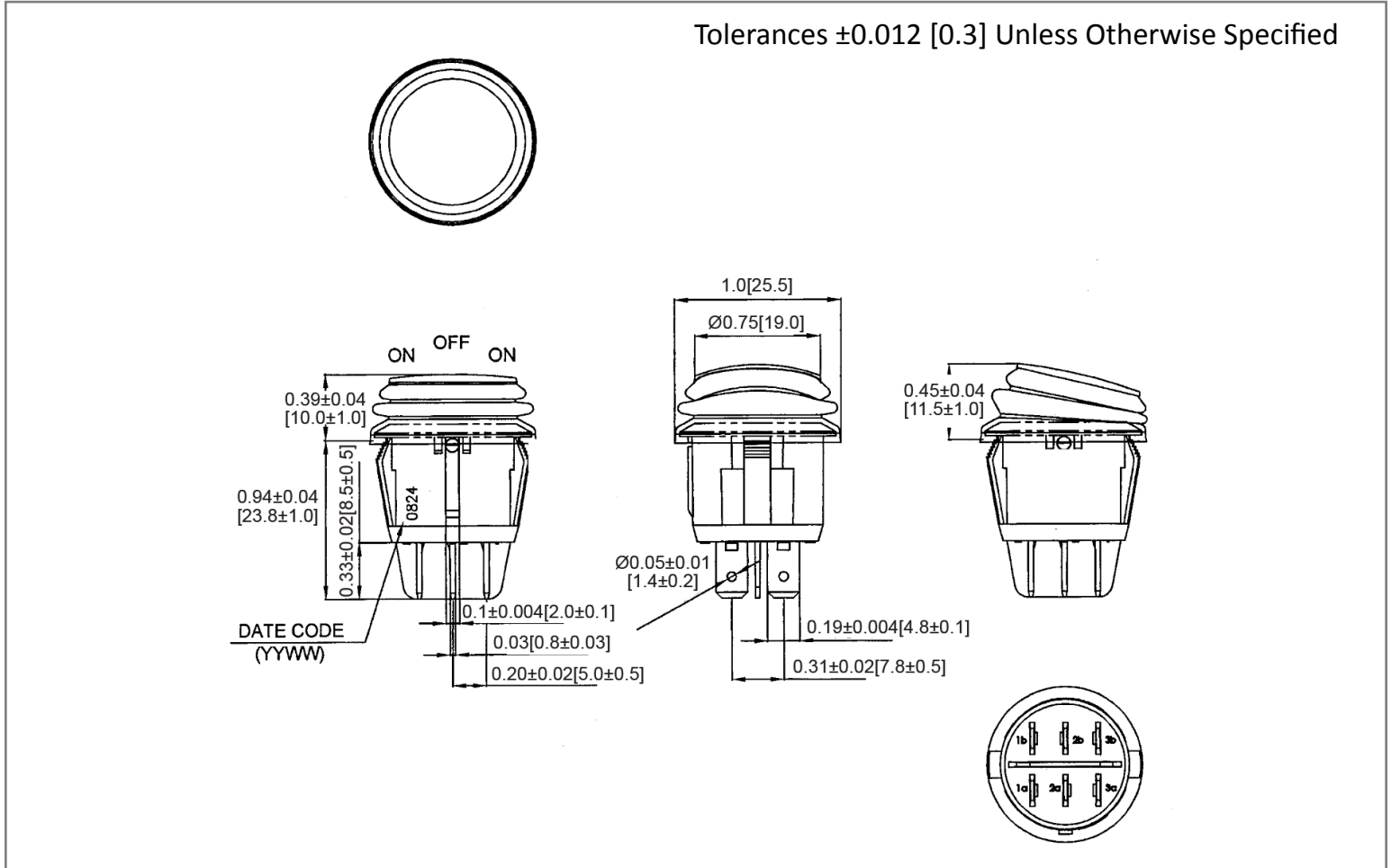
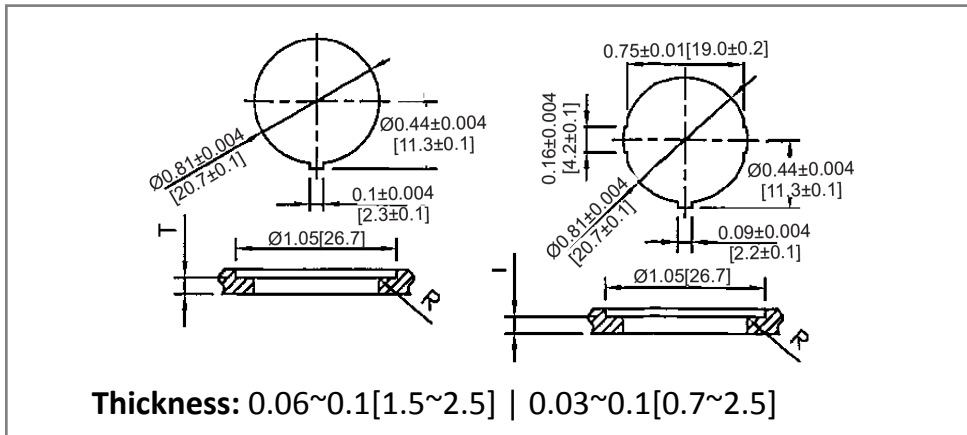


Mechanical Dimensions: Inches [mm]

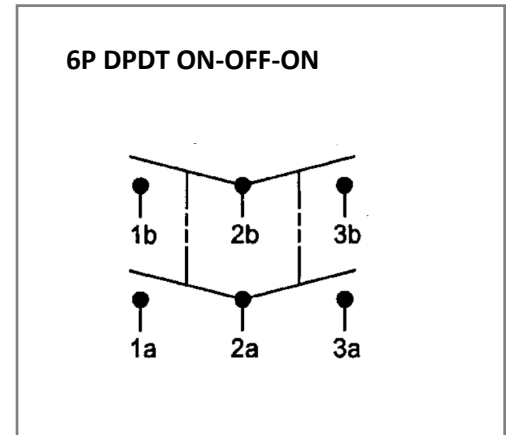
Tolerances ± 0.012 [0.3] Unless Otherwise Specified



Mounting Hole



Circuit Diagram



Electrical Specifications

DC Rating	10A 28V DC	
AC Rating	16A 125V AC, 10A 250V AC 10(4)A 125/250V AC	
Contact Resistance	50m ohm Max	
Insulation Resistance	DC 500V 100M ohm Min	
Dielectric Strength	AC 1500V 1 minute	

Material Specifications

Frame	Black, Nylon#66 (94-V2)
Actuator	Black, PC (94-V2)
Terminals	Copper alloy , Silver plated
Ingress Protection	IP65 Black, Silicone
Operation Temperature	-25°C~85°C

Rev	Date of issue	Revision Notes	Designed	Approved
B	06-08-2021	Initial Drawing	RC	OF