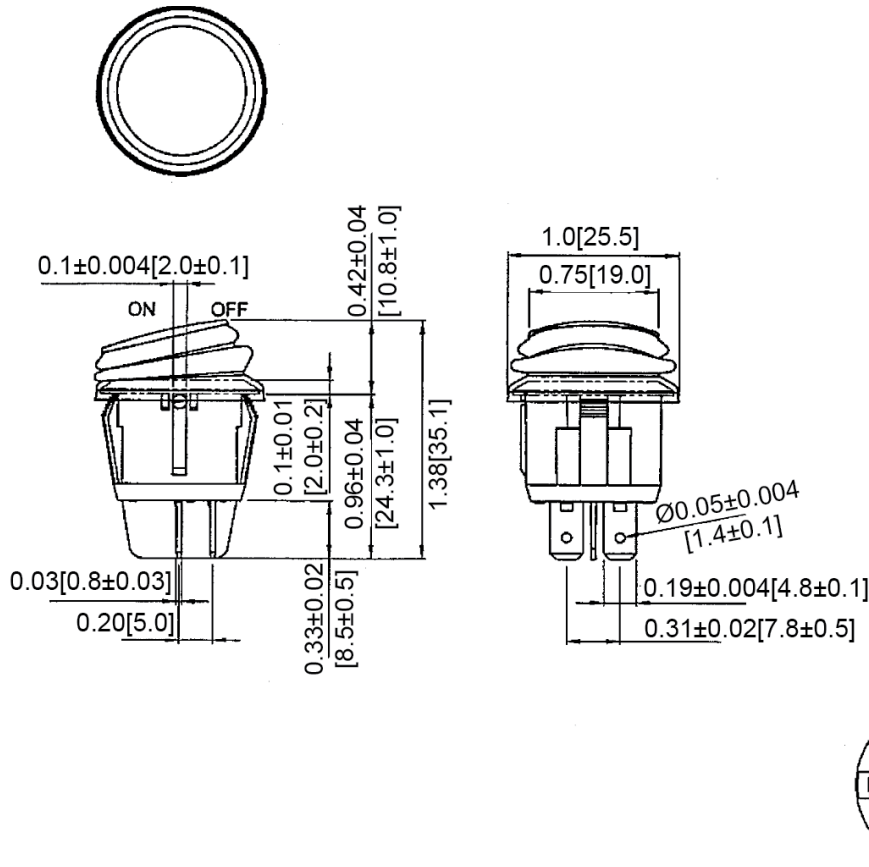
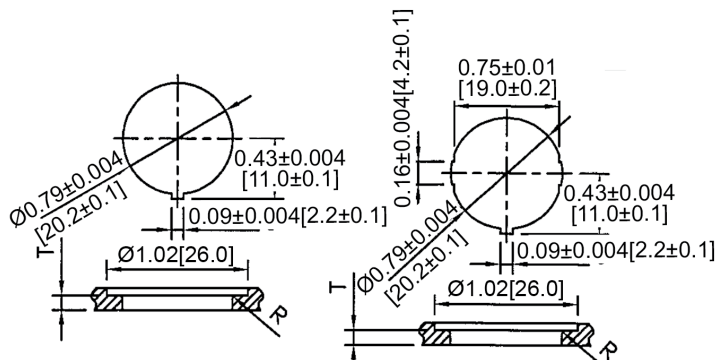


Mechanical Dimensions: Inches [mm]

Tolerances ± 0.012 [0.3] Unless Otherwise Specified



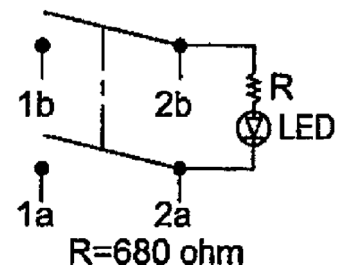
Mounting Hole



Thickness: 0.06~0.1 [1.5 ~2.5] | 0.03~0.1 [0.7~2.5]

Circuit Diagram

4P DPST OFF-ON (LED-D)



Electrical Specifications

Rating	20A 12V DC	
Contact Resistance	50m ohm Max	
Insulation Resistance	DC 500V 100M ohm Min	
Dielectric Strength	AC 1500V 1 minute	
Operation Temperature	-25°C~85°C	

Material Specifications

Frame	Black, Nylon#66 (94-V2)
Actuator	Green, PC
LED	Green (Dependent)
Ingress Protection	IP65

Rev	Date of issue	Revision Notes	Designed	Approved
B	07-13-2021	Initial Drawing	RC	OF