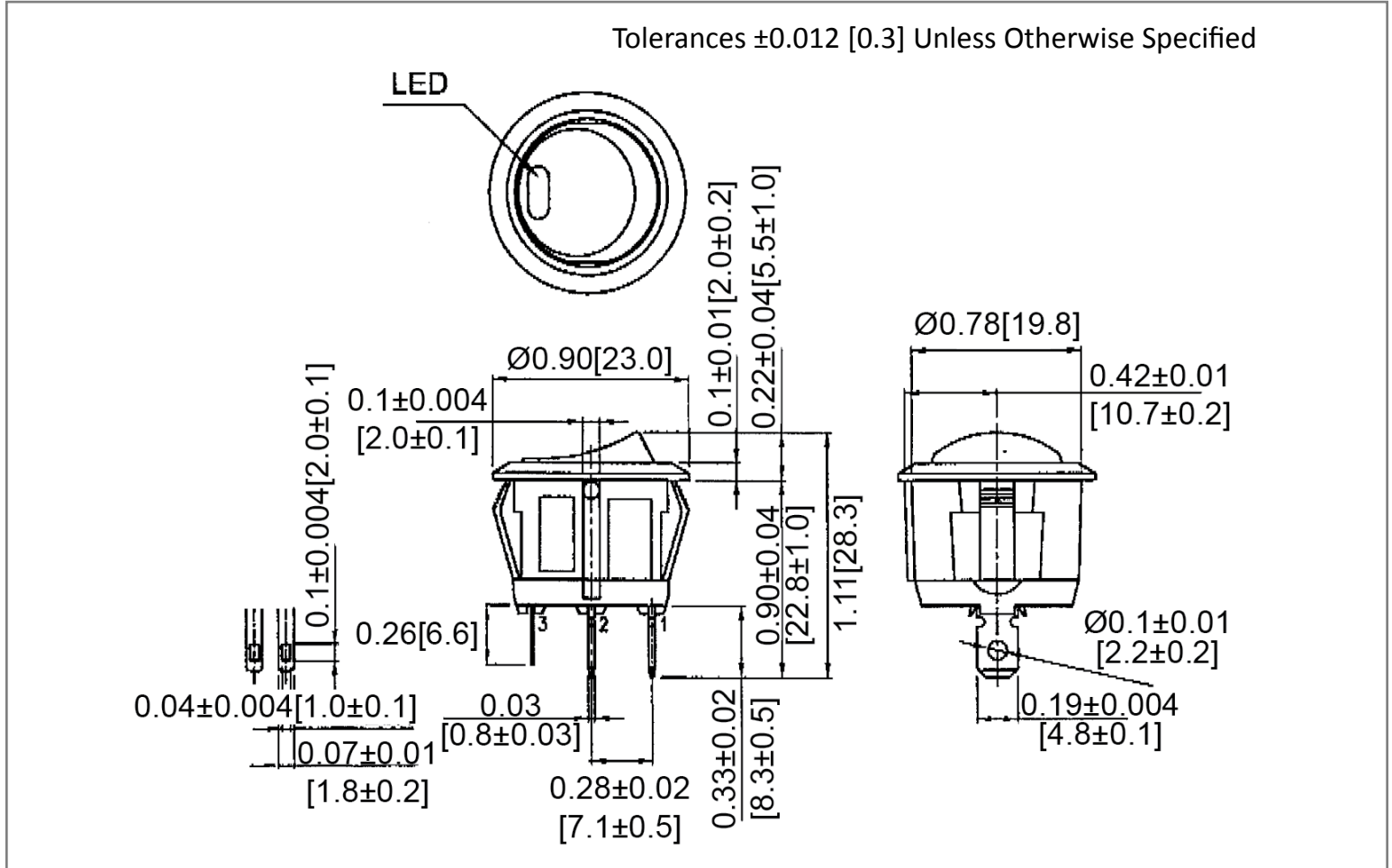
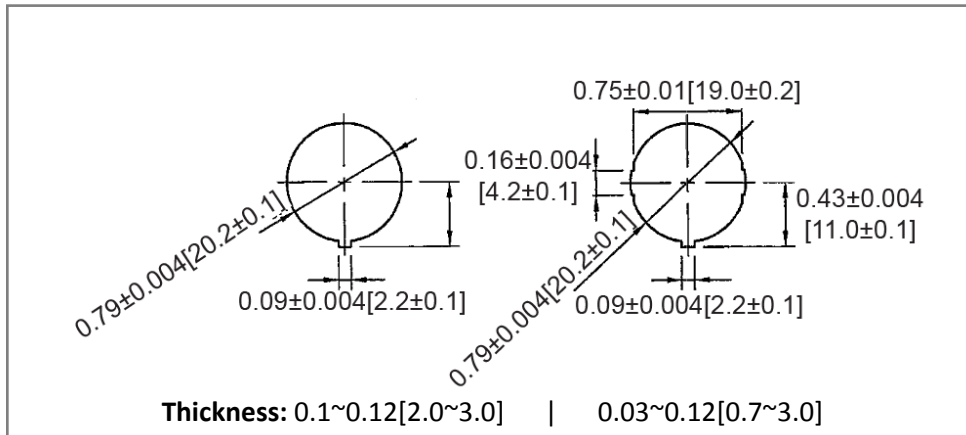


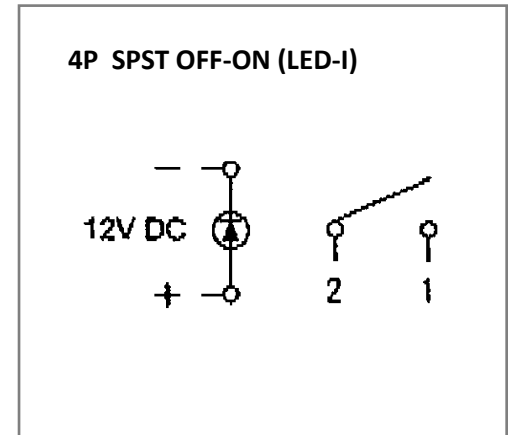
**Mechanical Dimensions: Inches [mm]**



**Mounting Hole**



**Circuit Diagram**



**Electrical Specifications**

Rating	20A 14V DC
Contact Resistance	50m ohm Max
Insulation Resistance	DC 500V 100M ohm Min
Dielectric Strength	AC 1500V 1 minute
Operation Temperature	-20°C~85°C

**Material Specifications**

Frame	Black, Nylon 66 (94-V2)
Actuator	Black, Nylon 66 (94-V2)
Terminals	Copper alloy, Silver plating
Lens	Red PC
LED	Red (Independent)

Rev	Date of issue	Revision Notes	Designed	Approved
A	07-16-2021	Initial Drawing	RC	OF