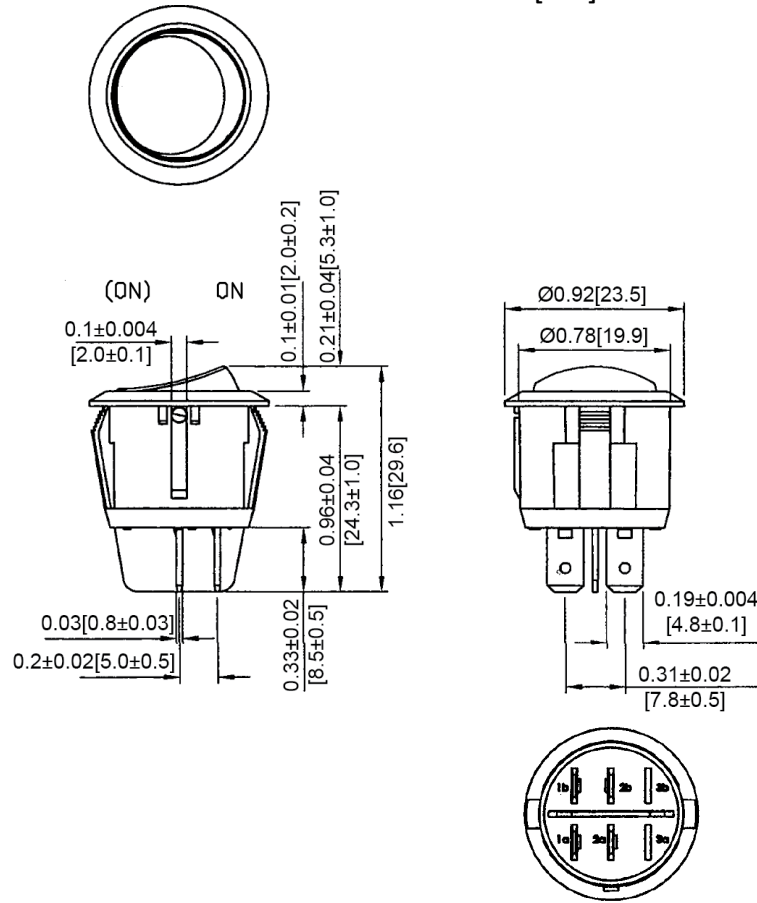
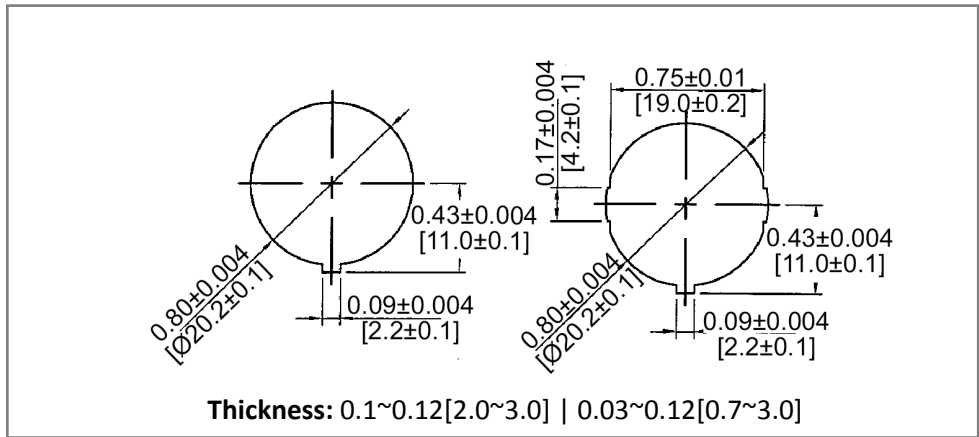


Mechanical Dimensions: Inches [mm]

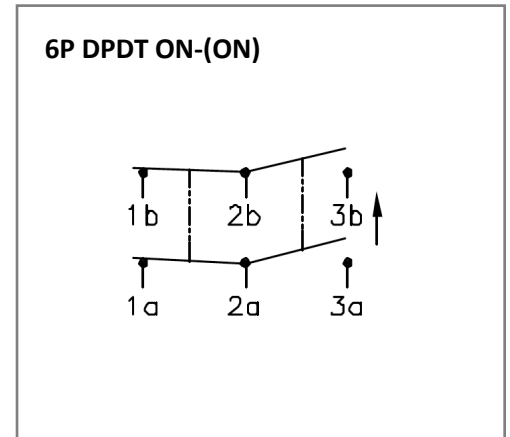
Tolerances ± 0.012 [0.3] Unless Otherwise Specified



Mounting Hole



Circuit Diagram



Electrical Specifications

DC Rating	10A 28V DC		Frame	Black, Nylon 66 (94-V2)
AC Rating	16A 125V AC, 10A 250V AC 10(4)A 125/250V AC		Actuator	Black, Nylon 66 (94-V2)
Contact Resistance	50m ohm Max.		Operation Temperature	-25° C-85° C
Insulation Resistance	DC 500V 100M ohm Min.			
Dielectric Strength	AC 1500V 1 minute			

Rev	Date of issue	Revision Notes	Designed	Approved
B	05-04-2020	Initial Drawing	RC	OF