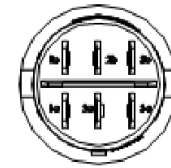
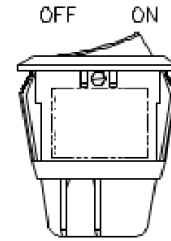
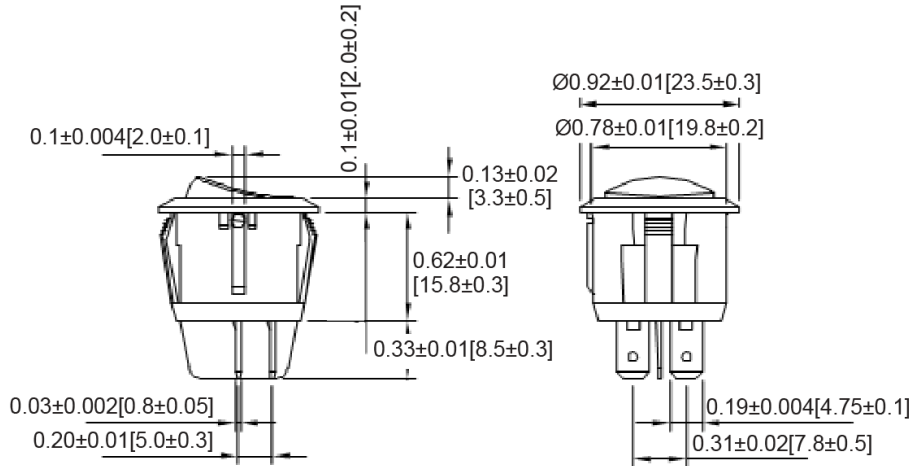
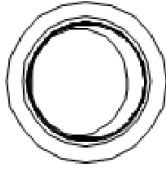
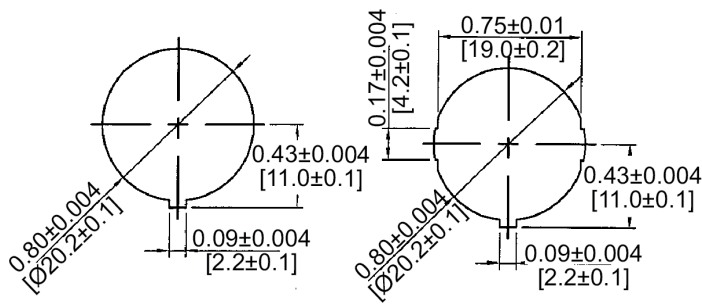


Mechanical Dimensions: Inches [mm]

Tolerances  $\pm 0.012$  [0.3] Unless Otherwise Specified



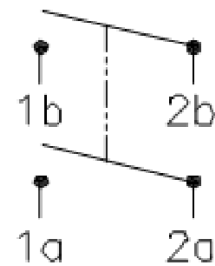
Mounting Hole



Thickness: 0.1~0.12 [2.0~3.0] | 0.03~0.12 [0.7~3.0]

Circuit Diagram

4P DPST OFF-ON



Electrical Specifications

DC Rating	10A 28V DC	
AC Rating	16A 125V AC, 10A 250V AC 10(4)A 125/250V AC	
Contact Resistance	50m ohm Max	
Insulation Resistance	DC 500V 100M ohm Min	
Dielectric Strength	AC 1500V 1 minute	

Material Specifications

Frame	Black, Nylon#66 (94-V2)
Actuator	Black, Nylon#66 (94-V2)
Operation Temperature	-25°C~85°C

Rev	Date of issue	Revision Notes	Designed	Approved
B	06-08-2021	Initial Drawing	RC	OF