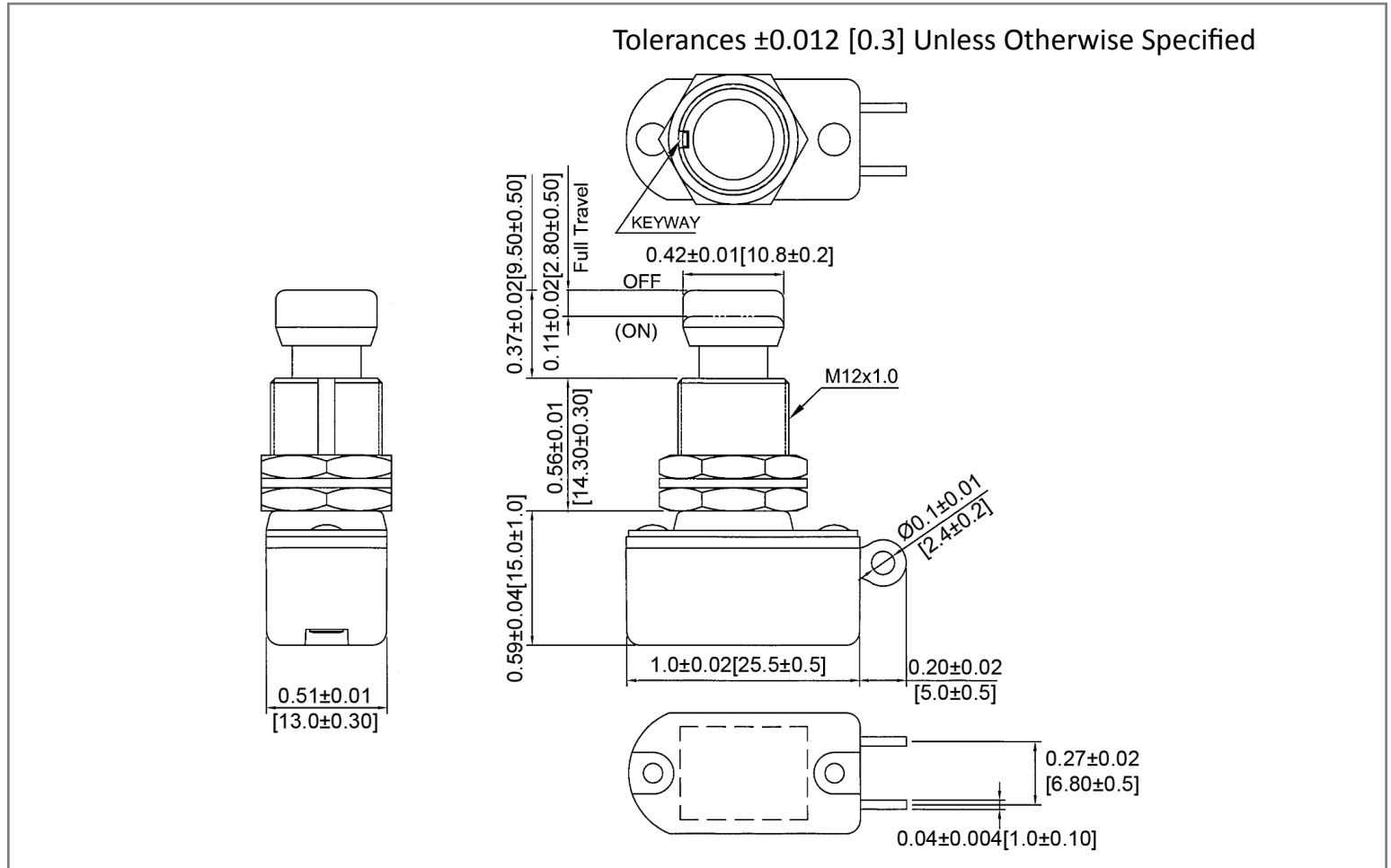
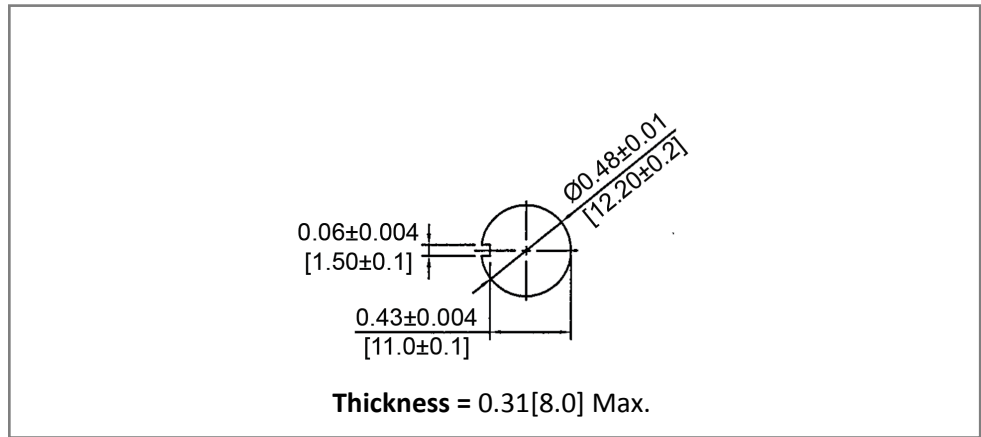


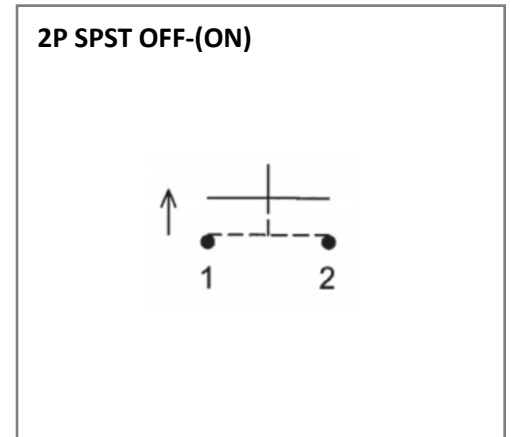
Mechanical Dimensions: Inches [mm]



Mounting Hole



Circuit Diagram



Electrical Specifications

Rating	10A 12V DC, 6A 125V AC 3A 250V AC
Contact Resistance	50m ohm Max.
Insulation Resistance	DC 500V 100M ohm Min
Dielectric Strength	AC 1000V 1 minute
Operation Temperature	-20°C~65°C

Material Specifications

Frame	Black, PF
Actuator	Ni-plated, Brass
	2 Hex Nut Assy
	1 Spring Washer Assy

Rev **Date of issue** **Revision Notes**

Designed **Approved**

A	04-26-2021	Initial Drawing	RC	OF
---	------------	-----------------	----	----