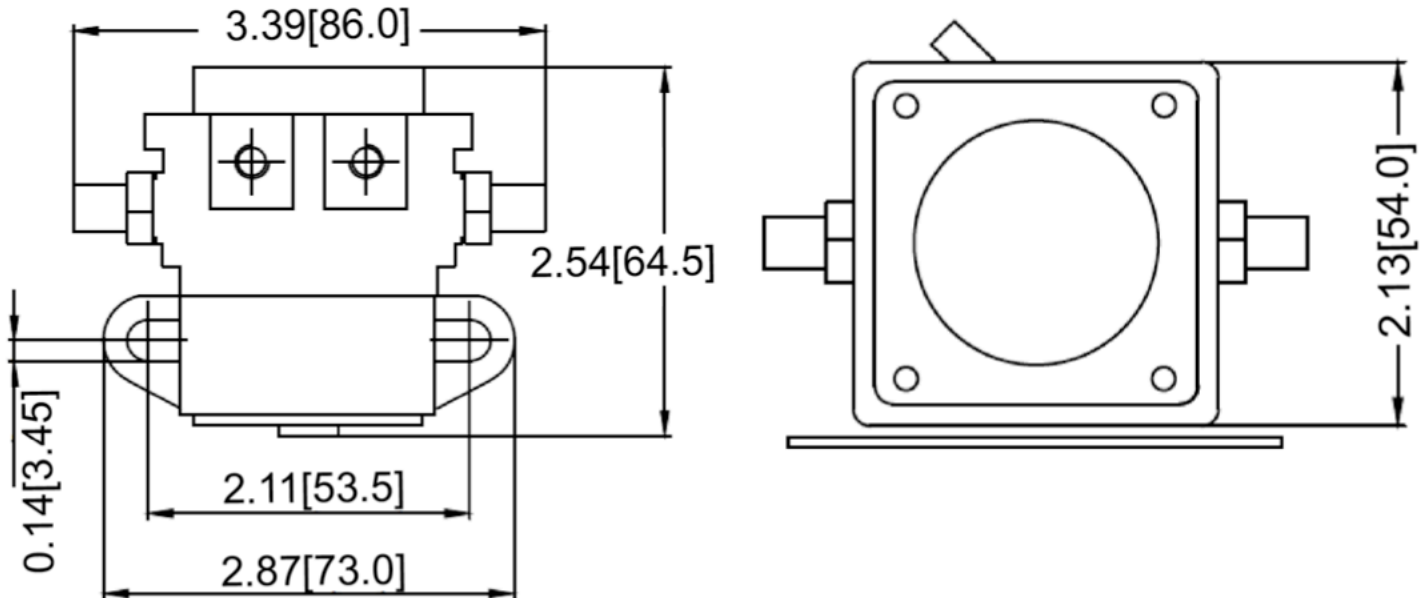


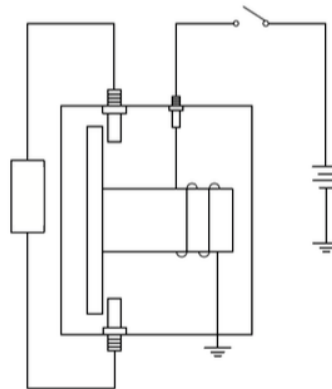
Mechanical Dimensions: Inches [mm]

Tolerances ± 0.012 [0.3] Unless Otherwise Specified



Circuit Diagram

Intermittent Duty. Grounded base



Electrical Specifications

Continuous Rating	24VDC 40A
Intermittent Current Rating (Make)	100A
Coil Resistance	16 ± 1 Ohms
Operating Voltage	<20VDC
Release Voltage	>4.8VDC

Mechanical Specifications

Operation Temperature	$-40^{\circ}\text{C} \sim 80^{\circ}\text{C}$
Phenolic body	
Copper Terminals	
5/16"-18 Thread terminals with lock washers	
Mechanical Life Electrical Life	500,00 50,000

Rev	Date of issue	Revision Notes	Designed	Approved
B	10-30-2023	Update Information	RC	OF