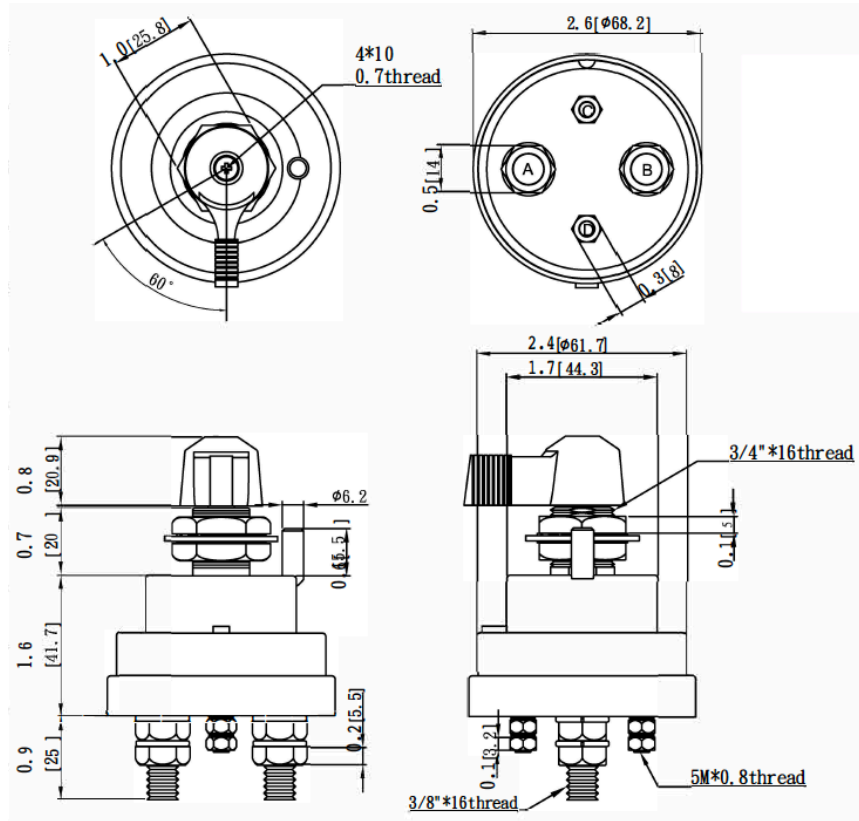
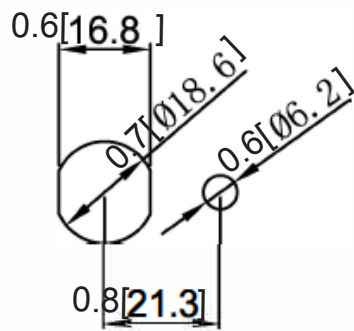


Mechanical Dimensions: Inches [mm]

Tolerances ± 0.012 [0.3] Unless Otherwise Specified

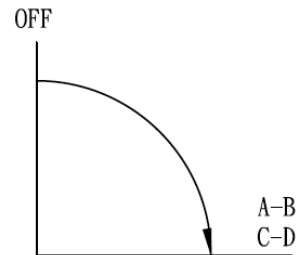


Mounting Hol



Circuit Diagram

DPST: For battery and alternator or generator field circuit.



Electrical Specification

Continuous Rating	180A 6-36VDC (Large Studs), 20A 6-36VDC (Small Studs)
Intermittent Rating	1000A for 15secs intervals
Insulation Resistance	DC 500V 100M ohm Min
Dielectric Strength	AC 1000V 1 minute
Operating Temperature	-40°C~85°C

Material Specification

Construction	Zinc diecast construction
Sealing	Sealed with O-rings at base and mounting stem
Terminals	Copper, Silver plated terminals
Ingress Protection	IP65

Rev Date of issue Revision Notes

Designed Approved

A	11-21-2019	Initial Drawing	RC	OF
---	------------	-----------------	----	----