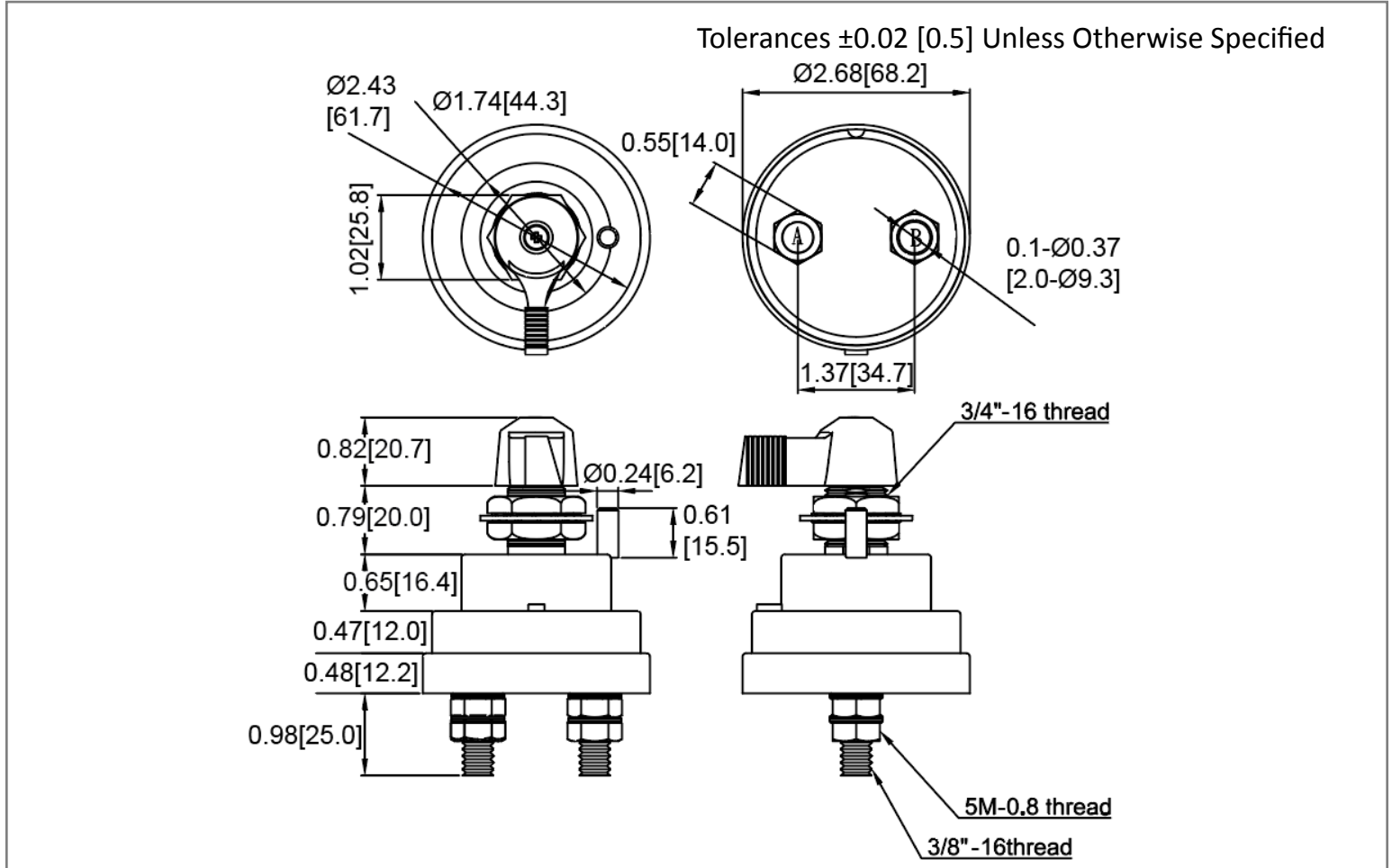
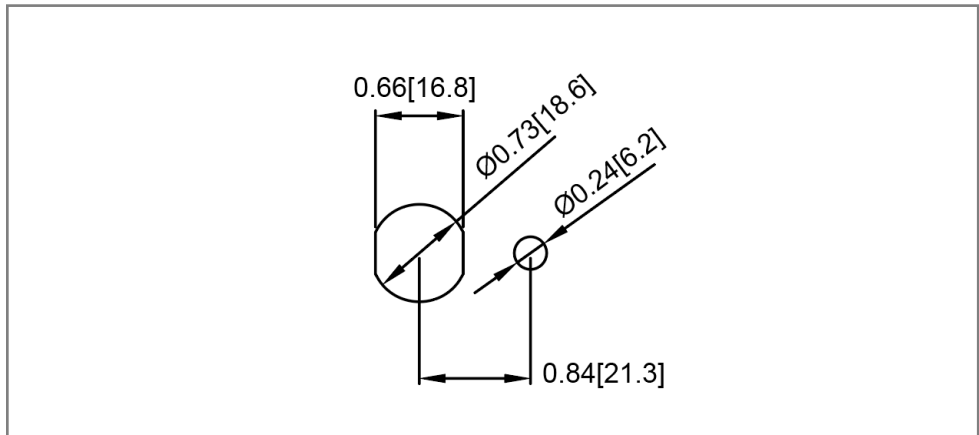


Mechanical Dimensions: Inches [mm]

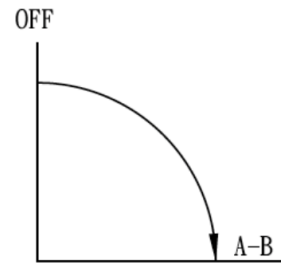


Mounting Hole



Circuit Diagram

SPST: Does not disconnect alternator or generator field circuit.



Electrical Specifications

Continuous Rating	180A 6-36VDC	Zinc diecast construction
Intermittent Rating	1000A for 15secs intervals	Sealed with O-rings at base and mounting stem
Insulation Resistance	DC 500V 100M ohm Min	Copper, Silver plated terminals
Dielectric Strength	AC 1000V 1 minute	Ingress Protection IP65
Operation Temperature	-40°C~85°C	

Rev	Date of issue	Revision Notes	Designed	Approved
C	07-25-2023	Updateing Drawing Dimensions	RC	OF