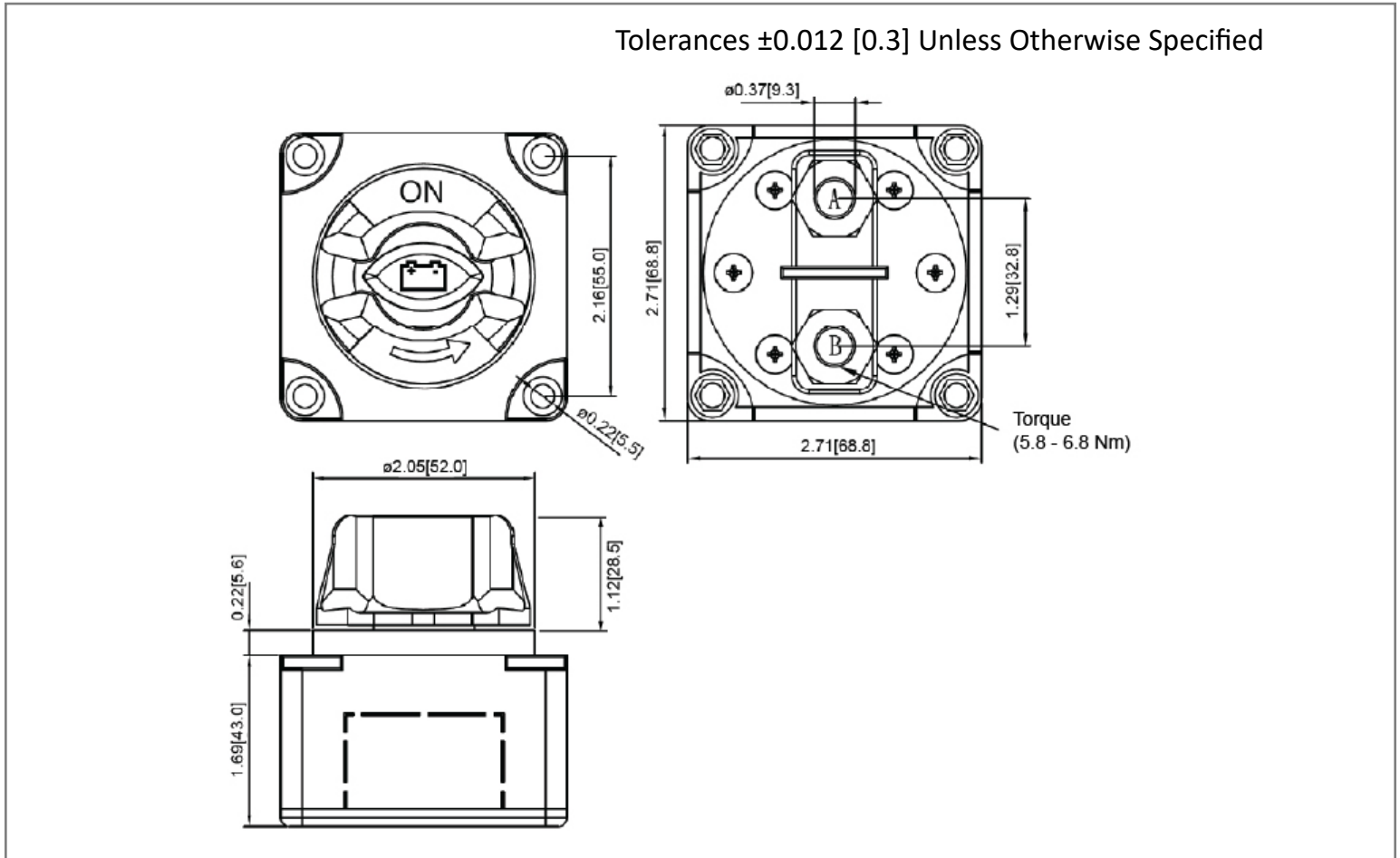
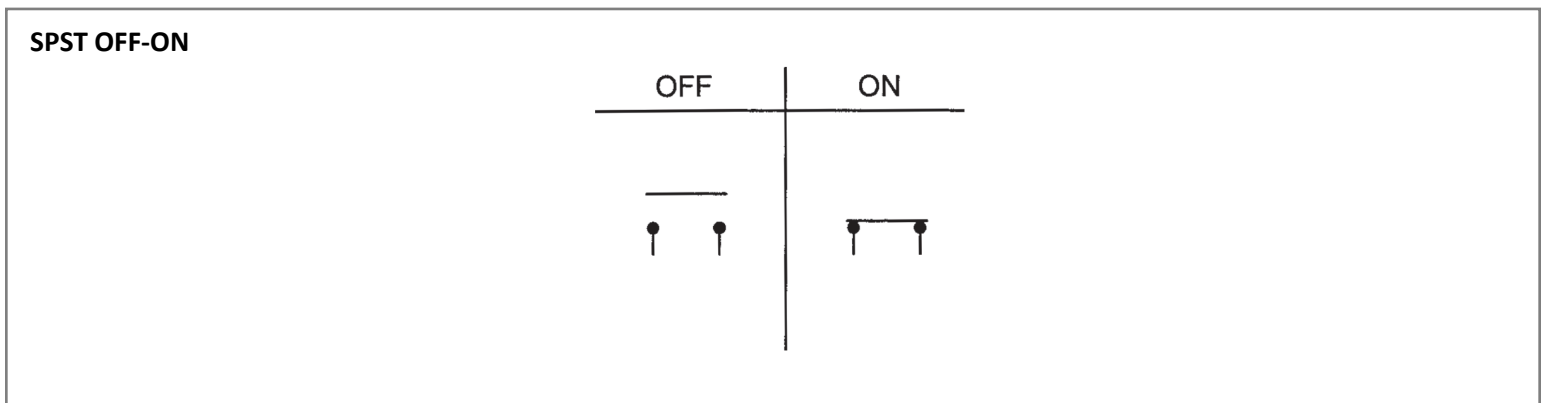


Mechanical Dimensions: Inches [mm]



Mounting Hole



Electrical Specifications

Continuous Rating	300A 24-48V DC
Intermittent Rating	700A
Cranking Rating	1000A for 5secs
Insulation Resistance	DC 500V 1M ohm Min.
Operation Temperature	-40°C ~ 85°C

Material Specifications

IP66	
Housing	Nylon with 30%
Bottom	PBT
Terminals / Contacts	Copper, Silver plated
Actuator	ABS
Ignition Protected	ISO 8846

Rev	Date of issue	Revision Notes	Designed	Approved
B	04-12-2024	Added Dimension Information	RC	OF