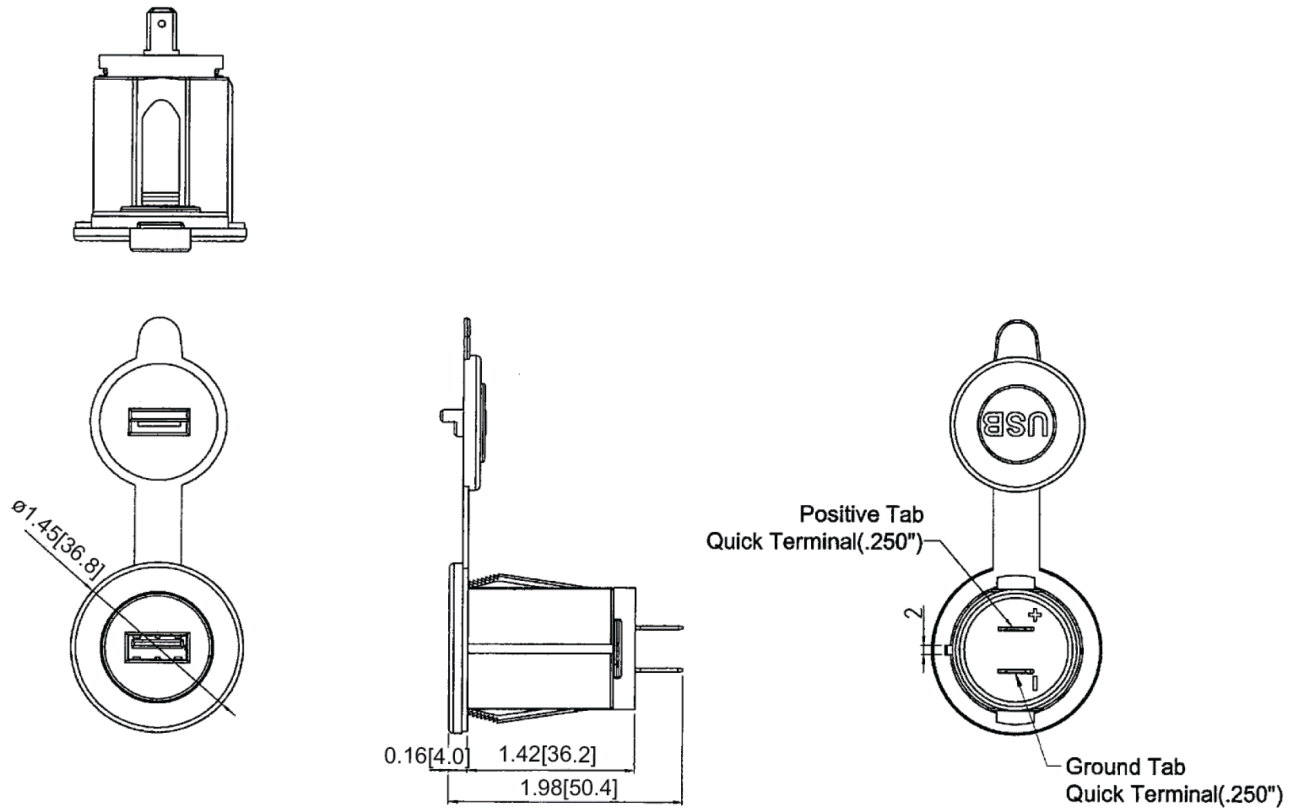
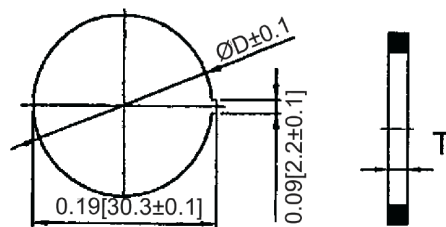


**Mechanical Dimensions: Inches [mm]**

Tolerances  $\pm 0.012$  [0.3] Unless Otherwise Specified



**Mounting Hole**



T	0.1 [2.5]	0.15 [3.8]	0.25 [6.3]	0.29 [7.3]
D	$\varnothing 1.14$ [29.0]	$\varnothing 1.14$ [29.0]	$\varnothing 1.16$ [29.5]	$\varnothing 1.17$ [29.8]

**Electrical Specifications**

<b>Input Rating</b>	12/24V
<b>Output Rating</b>	5VDC 2.4A/2.4A
<b>Insulation Resistance</b>	DC 500V 100M ohm Min
<b>Dielectric Strength</b>	AC 1500V 1 minute
<b>Operation Temperature</b>	-20°C ~ 45°C

**Material Specifications**

	LED power indicator inside
<b>Housing</b>	Nylon with Fiberglass (UL94-HB), Black
<b>Cap</b>	PVC

**Rev**    **Date of issue**    **Revision Notes**

**Designed**    **Approved**

A	02-22-2021	Initial Drawing	RC	OF
---	------------	-----------------	----	----