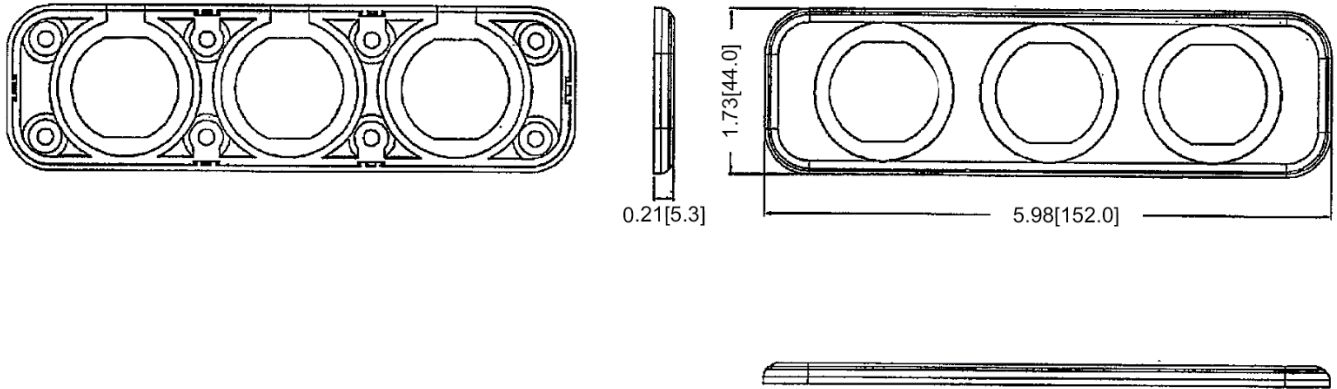


**Mechanical Dimensions: Inches [mm]**Tolerances  $\pm 0.012$  [0.3] Unless Otherwise Specified**Specifications**

Double layers three holes plate

Screws included

Flush mount

Fit with A1 Series - USB Socket, Outlet Socket, Voltmeter and Amp Meter

Nylon (UL94V-2), Black

**Rev      Date of issue      Revision Notes**

**Designed      Approved**

A	12-03-2020	Initial Drawing	RC	OF
---	------------	-----------------	----	----