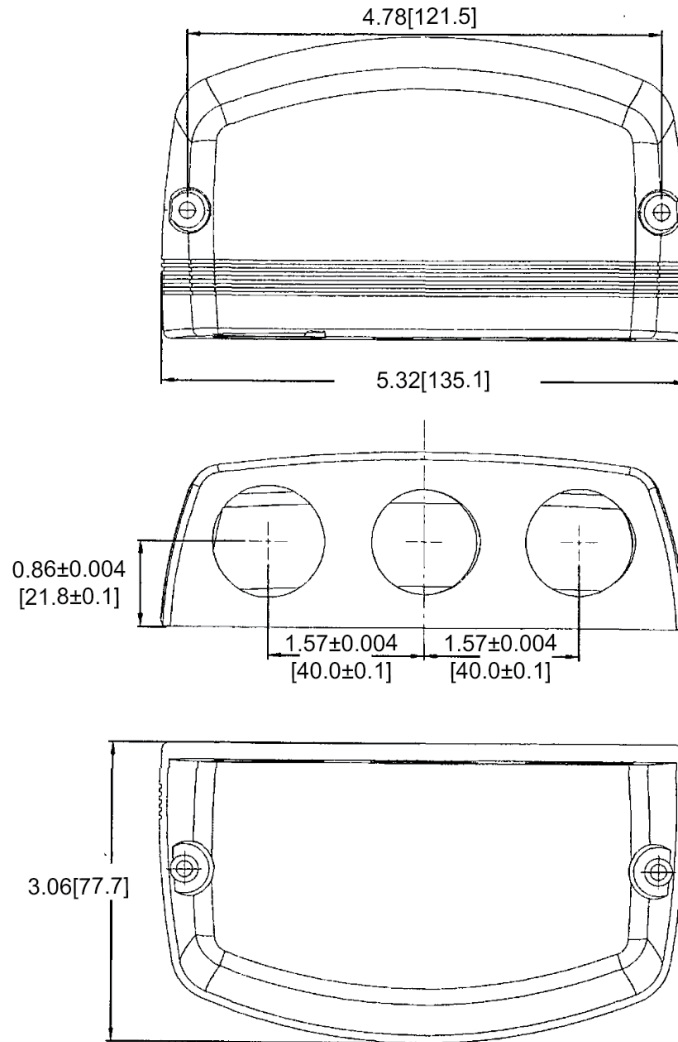


Mechanical Dimensions: Inches [mm]Tolerances ± 0.02 [0.5] unless otherwise specified**Specifications**

Three hole case

Screws included

Surface mount

ABS (UL94-HB), Black

Rev	Date of issue	Revision Notes	Designed	Approved
A	12-03-2020	Initial Drawing	RC	OF