

# CONTENTS

<b>About us</b>	<b>2</b>
<b>Switch types</b>	<b>4</b>
<b>Starter switch</b>	
SA series	6
SB series	7
<b>Push Button switch</b>	
PA series - PA1   PA2	8
PB series	9
PC series	10
PD series	11
<b>Push-Pull switch</b>	
PP series	12
<b>Toggle switch</b>	
TA series - TA1   TA2	13
TB series - TB1   TB2	16
TC series	19
TD series - TD1   TD2	20
TE series - TE1   TE3   TE4   TE5   TE6	22
<b>Standard Rocker switch</b>	
RA series - RA1   RA2   RA3   RA4   RA5	24
RB series - RB1   RB2	26
RC series	27
RD series - RD1   RD2	28
RE series - RE2	29
RF series - RF1   RF2   RF3	30
RG series - RG1   RG2   RG3	32
<b>Sealed Rocker switch</b>	
SRA series - SRA1   SRA2	33
SRB series - SRB1   SRB2   SRB3	34
SRC series - SRC1   SRC2	35
SRD series - SRD1   SRD2	36
<b>Battery switch</b>	
BA series	38
BB series	38
BC series	38
BD series	38
<b>Accessories</b>	
Waterproof Cover - WT   WR	39
Wire Connector - CW	39
Safety Cover - SC	39
<b>Symbols' legend</b>	<b>40</b>
<b>Technical information</b>	<b>43</b>
<b>Contact information</b>	<b>44</b>



ESTABLISHED  
IN **2001**

Switch Components Inc. (SCI) was established in 2001 as a high-quality supplier of AC and DC switch products serving the transportation, electrical and electronic markets.

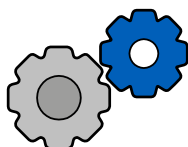


SCI Headquarters  
El Cajón, CA



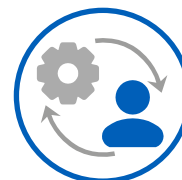
**pioneer**  
IN THE FIELD

Since its founding, SCI has been a pioneer in the development and manufacturing of patented illuminated and non-illuminated switches as well as providing customers with custom-made components for their individual application needs.

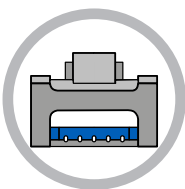


**automated**  
PRODUCTION

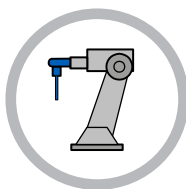
SCI employs an automated production line which helps to maintain high levels of consistency and quality as well as providing a platform for continuous cost-reduction.



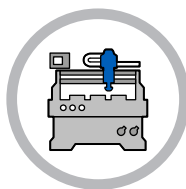
**state of the art**  
machinery and equipment



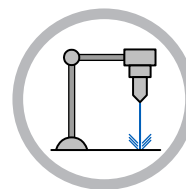
continuous table presses



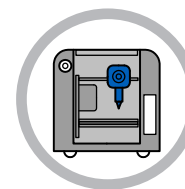
robotic plastic injection and insertion molding



CNC machining



laser marking



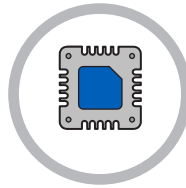
vision inspection equipment



transportation

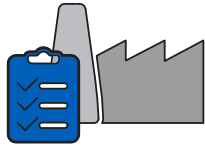


electrical

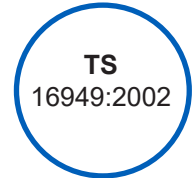


electronic

**our main markets**



**highest QUALITY STANDARDS**



Our production facilities in Guangdong (China) and Semarang (Indonesia) have been certified to meet ISO9001:2002, ISO14000:2004 and TS1 6949:2002 levels of quality assurance. SCI employs a Total Quality Management (TQM) approach to its manufacturing to ensure that 100% of its products exceed expected standards.



**100%**  
of our products



**ALWAYS LOOKING FOR safety**

All the AC switches carry the UL and CUL marks as well as conforming to many additional international safety standards. Our DC switches are manufactured to meet rigorous SAE standards and employs.



**eco FRIENDLY PRODUCTS**



SCI recognizes its responsibility to maintain a safe and ecologically friendly planet and is committed to providing products that meet or exceed RoHS directives and REACH regulations. All of SCI products are free of lead and suppliers of raw material have been surveyed as to comply with conflict mineral regulations.



# SWITCH TYPES



## STARTER SWITCH

- SA Series
- SB Series

## PUSH BUTTON SWITCH

- PA Series
- PB Series
- PC Series
- PD Series

## PUSH-PULL SWITCH

- PP Series

## TOGGLE SWITCH

- TA Series
- TB Series
- TC Series
- TD Series
- TE Series

## STANDARD ROCKER SWITCH

- RA Series
- RB Series
- RC Series
- RD Series
- RE Series
- RF Series
- RG Series

## SEALED ROCKER SWITCH

- SRA Series
- SRB Series
- SRC Series
- SRD Series

## BATTERY SWITCH

- BA Series
- BB Series
- BC Series
- BD Series

## ACCESSORIES

- Waterproof cover. Toggle | Rocker
- Wire connector
- Safety cover

STARTER SWITCH

PUSH BUTTON SWITCH

PUSH-PULL SWITCH

TOGGLE SWITCH

STANDARD ROCKER SWITCH

SEALED ROCKER SWITCH

BATTERY SWITCH

ACCESSORIES

# STARTER SWITCH - SA Series

STARTER SWITCH

PUSH BUTTON SWITCH

PUSH-PULL SWITCH

TOGGLE SWITCH

STANDARD ROCKER SWITCH

SEALED ROCKER SWITCH

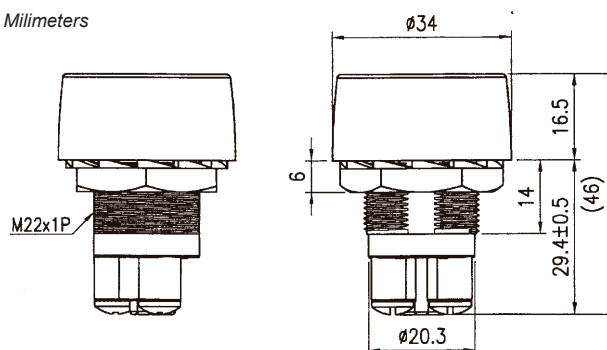
BATTERY SWITCH

ACCESSORIES



## Dimensions:

In Millimeters



SA

Ø	22 mm
	9 mm max

## Ordering information

**SA - 1 B - DC - 3 - GL P**

SERIES	CIRCUIT	RATING	TERMINAL	BUTTON	PRINT
• SA	<ul style="list-style-type: none"> <li>• 1: SP</li> <li>• B: OFF - (ON)</li> </ul>	• DC: 50A 12V DC	• 3: SC M4	<ul style="list-style-type: none"> <li>• GL: LED-D Green</li> <li>• RL: LED-D Red</li> <li>• UL: LED-D Blue</li> </ul>	• P: Printed

## Models

Model No.	Circuitry	Action	Rating	Terminal	Button
SA-1B-DC-3-GL-P	3P SPST	OFF-(ON)	50A 12V DC	SC M4	LED-D Green Printed
SA-1B-DC-3-RL-P	3P SPST	OFF-(ON)	50A 12V DC	SC M4	LED-D Red Printed
SA-1B-DC-3-UL-P	3P SPST	OFF-(ON)	50A 12V DC	SC M4	LED-D Blue Printed
SA-1B-DC-3-RL	3P SPST	OFF-(ON)	50A 12V DC	SC M4	LED-D Red

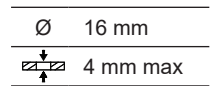
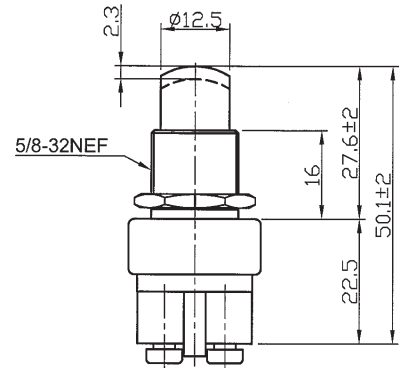
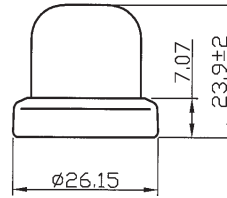
# STARTER SWITCH - SB Series



SB

### Dimensions:

In Millimeters



### Ordering information

**SB - 1 B - DC - 3 - B**

SERIES	CIRCUIT	RATING	TERMINAL	BUTTON
• SB	<ul style="list-style-type: none"> <li>• 1: SP</li> <li>• B: OFF - (ON)</li> </ul>	• DC: 60A 12V DC	<ul style="list-style-type: none"> <li>• 3: SC M4</li> <li>• 8: PIN</li> </ul>	<ul style="list-style-type: none"> <li>• B: Black Boot</li> <li>• R: Red Boot</li> <li>• C: Metal Collar</li> <li>• N: Metal Nut</li> </ul>

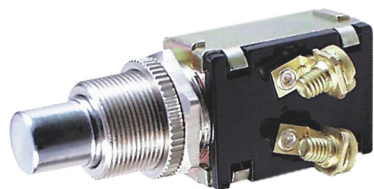
### Models

Model No.	Circuitry	Action	Rating	Terminal	Button
SB-1B-DC-3-B	2P SPST	OFF-(ON)	60A 12V DC	SC M4	Black Boot
SB-1B-DC-3-R	2P SPST	OFF-(ON)	60A 12V DC	SC M4	Red Boot
SB-1B-DC-3-C	2P SPST	OFF-(ON)	60A 12V DC	SC M4	Metal Collar
SB-1B-DC-3-N	2P SPST	OFF-(ON)	60A 12V DC	SC M4	Metal Nut
SB-1B-DC-8-B	2P SPST	OFF-(ON)	60A 12V DC	PIN	Black Boot

## PUSH BUTTON SWITCH - PA Series

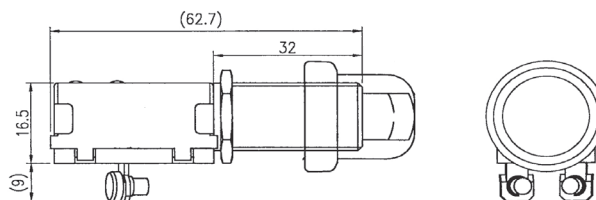
STARTER SWITCH

PUSH BUTTON SWITCH



### Dimensions:

In Millimeters



PA1

Ø	16 mm
$\frac{\square}{\square}$	10 mm max

PUSH-PULL SWITCH

TOGGLE SWITCH

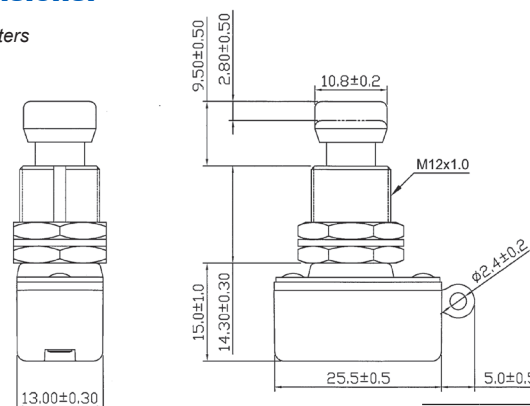
STANDARD ROCKER SWITCH



PA2

### Dimensions:

In Millimeters



Ø	12.2 mm
$\frac{\square}{\square}$	8 mm max

## Ordering information

**PA1 - 1 B - DC - 3**

SERIES	CIRCUIT	RATING	TERMINAL
<ul style="list-style-type: none"> <li>PA1</li> <li>PA2</li> </ul>	<ul style="list-style-type: none"> <li>1: SP</li> <li>B: OFF - (ON)</li> </ul>	<ul style="list-style-type: none"> <li>DC: 15A 12V DC</li> <li>10A 12V DC</li> </ul>	<ul style="list-style-type: none"> <li>3: SC M4</li> <li>5: SO</li> </ul>

## Models

Model No.	Circuitry	Action	Rating	Terminal
PA1-1B-DC-3	2P SPST	OFF-(ON)	15A 12V DC	SC M4
PA2-1B-DC-5	2P SPST	OFF-(ON)	10A 12V DC	SO

SEALED ROCKER SWITCH

BATTERY SWITCH

ACCESSORIES

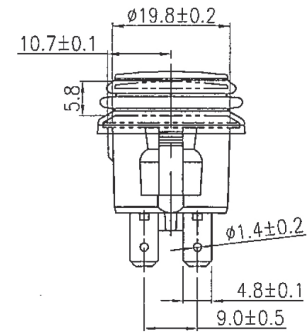
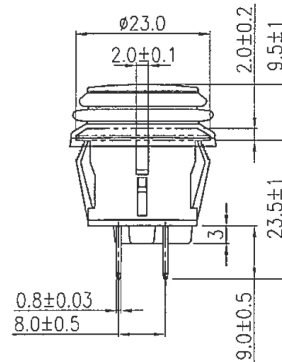
## PUSH BUTTON SWITCH - PB Series

### Dimensions:

In Millimeters



PB



### Accessories / Features\*:

- Waterproof IP. IP65

Ø 20.2 mm

0.7~2.5 mm max

### Ordering information

**PB** - **1 A** - **DC** - **2** - **B**

SERIES	CIRCUIT	RATING	TERMINAL	BUTTON
• PB	<ul style="list-style-type: none"> <li>• 1: SP // 2: DP</li> <li>• A: OFF - ON</li> <li>• B: OFF - (ON)</li> </ul>	<ul style="list-style-type: none"> <li>• DC: 20A 14V DC</li> <li>10A 28V DC</li> </ul>	<ul style="list-style-type: none"> <li>• 2: 187" SQ</li> </ul>	<ul style="list-style-type: none"> <li>• B: Black</li> <li>• RIL: LED-I Red</li> </ul>

### Models

Model No.	Circuitry	Action	Rating	Terminal	Button
PB-1A-DC-2-B	2P SPST	OFF-ON	20A 14V DC / 10A 28V DC	187" SQ	Black
PB-1A-DC-2-RIL	4P SPST	OFF-ON	20A 14V DC	187" SQ	LED-I Red
PB-1B-DC-2-B	2P SPST	OFF-(ON)	20A 14V DC / 10A 28V DC	187" SQ	Black
PB-1B-DC-2-RIL	4P SPST	OFF-(ON)	20A 14V DC	187" SQ	LED-I Red
PB-2A-DC-2-B	4P DPST	OFF-ON	20A 14V DC / 10A 28V DC	187" SQ	Black
PB-2B-DC-2-B	4P DPST	OFF-(ON)	20A 14V DC / 10A 28V DC	187" SQ	Black

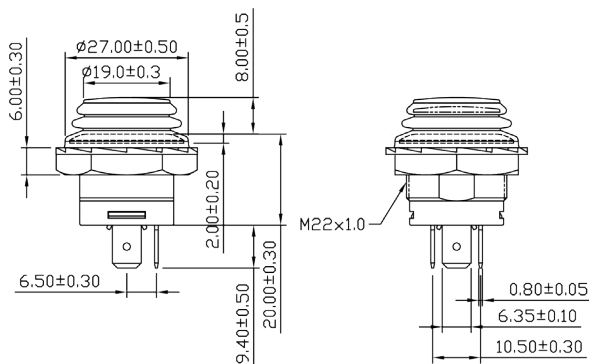
# PUSH BUTTON SWITCH - PC Series



PC

### Dimensions:

In Millimeters



### Accessories / Features\*:

- Waterproof IP. IP65

$\varnothing$	22 mm
$\frac{\square}{\square}$	7 mm max

## Ordering information

**PC - 1 A - DC - 1 - RL**

SERIES	CIRCUIT	RATING	TERMINAL	BUTTON
• PC	<ul style="list-style-type: none"> <li>• 1: SP</li> <li>• A: OFF - ON</li> <li>• B: OFF - (ON)</li> </ul>	• DC: 10A 14V DC	• 1: 250" SQ	• RL: LED-D Red

## Models

Model No.	Circuitry	Action	Rating	Terminal	Button
PC-1A-DC-1-RL	3P SPST	OFF-ON	10A 14V DC	250" SQ	LED-D Red
PC-1B-DC-1-RL	3P SPST	OFF-(ON)	10A 14V DC	250" SQ	LED-D Red

STARTER SWITCH

PUSH BUTTON SWITCH

PUSH-PULL SWITCH

TOGGLE SWITCH

STANDARD ROCKER SWITCH

SEALED ROCKER SWITCH

BATTERY SWITCH

ACCESSORIES

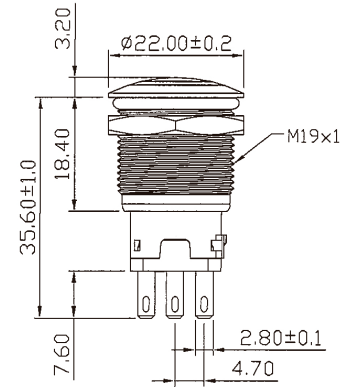
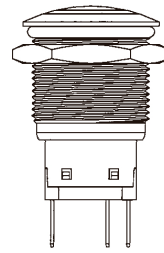
## PUSH BUTTON SWITCH - PD Series



PD

### Dimensions:

In Millimeters



### Accessories / Features\*:

- Waterproof IP. IP67

Ø	19.0 mm
$\frac{\square}{\square}$	7~10 mm max

### Ordering information

PD - **1** E - DC - 9 - **GL**

SERIES	CIRCUIT	RATING	TERMINAL	BUTTON
• PD	<ul style="list-style-type: none"> <li>• 1: SP // 2: DP</li> <li>• E: ON - (ON)</li> </ul>	• DC: 10A 14V DC	• 9: 110° SQ	<ul style="list-style-type: none"> <li>• GL: LED-D Green</li> <li>• RL: LED-D Red</li> <li>• UL: LED-D Blue</li> </ul>

### Models

Model No.	Circuitry	Action	Rating	Terminal	Button
PD-1E-DC-9-GL	3P SPDT	ON-(ON)	10A 14V DC	110° SQ	LED-D Green
PD-1E-DC-9-RL	3P SPDT	ON-(ON)	10A 14V DC	110° SQ	LED-D Red
PD-1E-DC-9-UL	3P SPDT	ON-(ON)	10A 14V DC	110° SQ	LED-D Blue
PD-2E-DC-9-GL	6P DPDT	ON-(ON)	10A 14V DC	110° SQ	LED-D Green
PD-2E-DC-9-RL	6P DPDT	ON-(ON)	10A 14V DC	110° SQ	LED-D Red
PD-2E-DC-9-UL	6P DPDT	ON-(ON)	10A 14V DC	110° SQ	LED-D Blue

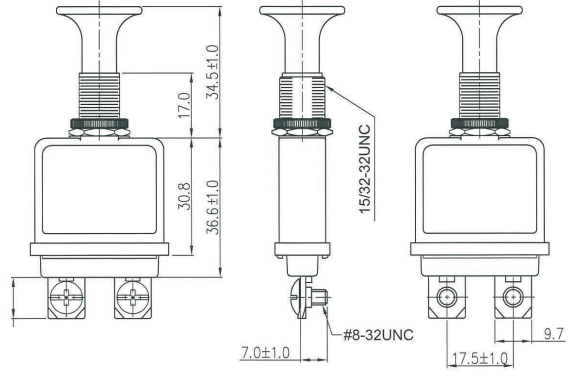
# PUSH-PULL SWITCH - PP Series

## Dimensions:

In Millimeters



PP



Ø	12.2 mm
	10 mm max

## Ordering information

**PP - 1 A - DC - 7 - B**

SERIES	CIRCUIT	RATING	TERMINAL	BUTTON
• PP	• 1: SP • A: OFF - ON	• DC: 75A 6-28V DC	• 7: SC 8-32UNC	<ul style="list-style-type: none"> <li>• B: Black Plated</li> <li>• M: Chrome Plated</li> <li>• R: Red Plated</li> </ul>

## Models

Model No.	Circuitry	Action	Rating	Terminal	Button
PP-1A-DC-7-B	2P SPST	OFF-ON	75A 6-28V DC	SC 8-32UNC	Black Plated
PP-1A-DC-7-M	2P SPST	OFF-ON	75A 6-28V DC	SC 8-32UNC	Chrome Plated
PP-1A-DC-7-R	2P SPST	OFF-ON	75A 6-28V DC	SC 8-32UNC	Red Plated

STARTER SWITCH

PUSH BUTTON SWITCH

PUSH-PULL SWITCH

TOGGLE SWITCH

STANDARD ROCKER SWITCH

SEALED ROCKER SWITCH

BATTERY SWITCH

ACCESSORIES



## TOGGLE SWITCH - TA1 Series



TA1



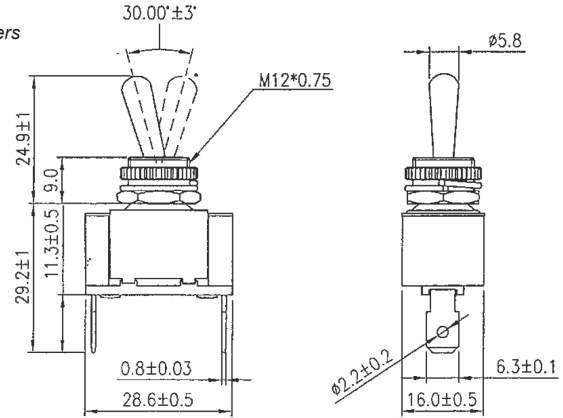
TA1A



TA1B

### Dimensions:

In Millimeters



### Accessories / Features\*:

- Waterproof boot. WT1
- Safety cover. SC

Ø	12.2 mm
	4 mm max

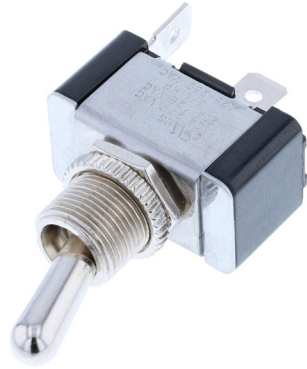
## Ordering information

<b>TA1</b>	-	<b>1</b>	<b>A</b>	-	<b>DC</b>	-	<b>1</b>	-	<b>RL</b>
SERIES	CIRCUIT		RATING		TERMINAL		LEVER		
<ul style="list-style-type: none"> <li>• TA1</li> <li>• TA1A</li> <li>• TA1B</li> </ul>	<ul style="list-style-type: none"> <li>• 1: SP</li> </ul>		<ul style="list-style-type: none"> <li>• DC: 20A 12V DC</li> <li>10A 24V DC</li> </ul>		<ul style="list-style-type: none"> <li>• 1: 250" SQ</li> <li>• 4: SC M3</li> </ul>		<ul style="list-style-type: none"> <li>• RL: LED-D Red</li> <li>• GL: LED-D Green</li> <li>• RG: LED-D Red&amp;Green</li> </ul>		

## Models

Model No.	Circuitry	Action	Rating	Terminal	Lever
TA1-1A-DC-1	2P SPST	OFF-ON	20A 12V DC / 10A 24V DC	250" SQ	
TA1-1A-DC-4	2P SPST	OFF-ON	20A 12V DC / 10A 24V DC	SC M3	
TA1-1D-DC-1	3P SPDT	ON-ON	20A 12V DC / 10A 24V DC	250" SQ	
TA1-1D-DC-4	3P SPDT	ON-ON	20A 12V DC / 10A 24V DC	SC M3	
TA1-1F-DC-1	3P SPDT	ON-OFF-ON	20A 12V DC / 10A 24V DC	250" SQ	
TA1-1F-DC-4	3P SPDT	ON-OFF-ON	20A 12V DC / 10A 24V DC	SC M3	
TA1A-1A-DC-1-GL	3P SPST	OFF-ON	20A 12V DC	250" SQ	Plastic LED-D Green
TA1A-1A-DC-1-RL	3P SPST	OFF-ON	20A 12V DC	250" SQ	Plastic LED-D Red
TA1B-1A-DC-1-GL	3P SPST	OFF-ON	20A 12V DC	250" SQ	Metal LED-D Green
TA1C-1A-DC-1-RG	4P SPST	OFF-ON	20A 12V DC	250" SQ	Plastic LED-D Red&Green

# TOGGLE SWITCH - TA2 Series



TA2

### Accessories / Features\*:

- Waterproof boot. WT2
- Waterproof IP. IP55

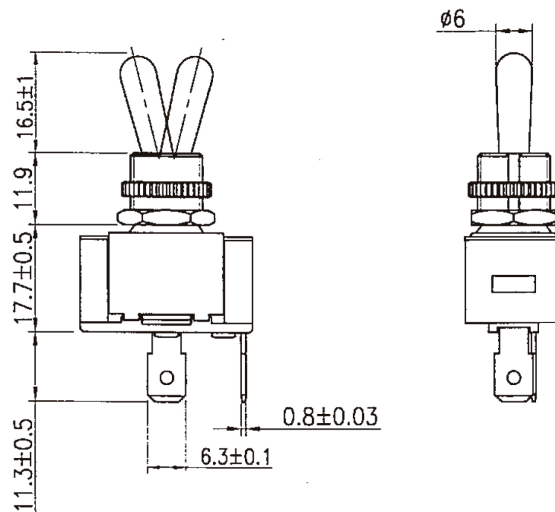
## Ordering information

TA2 - 1 **A** - DC - 1 - **O**

SERIES	CIRCUIT	RATING	TERMINAL	LEVER
<ul style="list-style-type: none"> <li>• TA2</li> </ul>	<ul style="list-style-type: none"> <li>• 1: SP</li> <li>• <b>A</b>: OFF - ON</li> <li>• <b>B</b>: OFF - (ON)</li> <li>• <b>D</b>: ON - ON</li> <li>• <b>F</b>: ON - OFF - ON</li> <li>• <b>G</b>: (ON) - OFF - (ON)</li> </ul>	<ul style="list-style-type: none"> <li>• DC: 21A 14V DC</li> </ul>	<ul style="list-style-type: none"> <li>• 1: 250" SQ</li> <li>• 5: SO</li> <li>• 6: SC 6-32UNC</li> </ul>	<ul style="list-style-type: none"> <li>• <b>O</b>: w/ O Ring</li> </ul>

## Dimensions

In Millimeters



Ø	12.2 mm
	6 mm max

Further details about standards and certifications in technical data sheet. Accessories available only for some models

## TOGGLE SWITCH - TA2 Series

### Models

Model No.	Circuitry	Action	Rating	Terminal	Lever
TA2-1A-DC-1	2P SPST	OFF-ON	21A 14V DC	250" SQ	
TA2-1B-DC-1	2P SPST	OFF-(ON)	21A 14V DC	250" SQ	
TA2-1D-DC-1	3P SPDT	ON-ON	21A 14V DC	250" SQ	
TA2-1F-DC-1	3P SPDT	ON-OFF-ON	21A 14V DC	250" SQ	
TA2-1G-DC-1	3P SPDT	(ON)-OFF-(ON)	21A 14V DC	250" SQ	
TA2-1A-DC-1-O	2P SPST	OFF-ON	21A 14V DC	250" SQ	w/ O Ring
TA2-1B-DC-1-O	2P SPST	OFF-(ON)	21A 14V DC	250" SQ	w/ O Ring
TA2-1D-DC-1-O	3P SPDT	ON-ON	21A 14V DC	250" SQ	w/ O Ring
TA2-1F-DC-1-O	3P SPDT	ON-OFF-ON	21A 14V DC	250" SQ	w/ O Ring
TA2-1G-DC-1-O	3P SPDT	(ON)-OFF-(ON)	21A 14V DC	250" SQ	w/ O Ring
TA2-1A-DC-5	2P SPST	OFF-ON	21A 14V DC	SO	
TA2-1B-DC-5	2P SPST	OFF-(ON)	21A 14V DC	SO	
TA2-1D-DC-5	3P SPDT	ON-ON	21A 14V DC	SO	
TA2-1F-DC-5	3P SPDT	ON-OFF-ON	21A 14V DC	SO	
TA2-1G-DC-5	3P SPDT	(ON)-OFF-(ON)	21A 14V DC	SO	
TA2-1A-DC-6	2P SPST	OFF-ON	21A 14V DC	SC 6-32UNC	
TA2-1B-DC-6	2P SPST	OFF-(ON)	21A 14V DC	SC 6-32UNC	
TA2-1D-DC-6	3P SPDT	ON-ON	21A 14V DC	SC 6-32UNC	
TA2-1F-DC-6	3P SPDT	ON-OFF-ON	21A 14V DC	SC 6-32UNC	
TA2-1G-DC-6	3P SPDT	(ON)-OFF-(ON)	21A 14V DC	SC 6-32UNC	
TA2-1A-DC-6-O	2P SPST	OFF-ON	21A 14V DC	SC 6-32UNC	w/ O Ring
TA2-1B-DC-6-O	2P SPST	OFF-(ON)	21A 14V DC	SC 6-32UNC	w/ O Ring
TA2-1D-DC-6-O	3P SPDT	ON-ON	21A 14V DC	SC 6-32UNC	w/ O Ring
TA2-1F-DC-6-O	3P SPDT	ON-OFF-ON	21A 14V DC	SC 6-32UNC	w/ O Ring
TA2-1G-DC-6-O	3P SPDT	(ON)-OFF-(ON)	21A 14V DC	SC 6-32UNC	w/ O Ring

STARTER SWITCH

PUSH BUTTON SWITCH

PUSH-PULL SWITCH

TOGGLE SWITCH

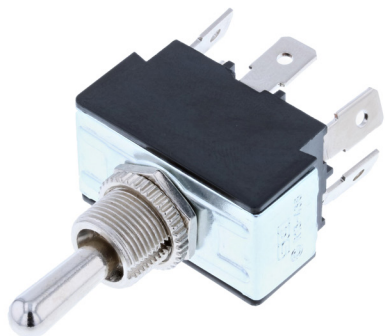
STANDARD ROCKER SWITCH

SEALED ROCKER SWITCH

BATTERY SWITCH

ACCESSORIES

# TOGGLE SWITCH - TB1 Series



TB1

### Accessories / Features\*:

- Waterproof boot. WT2
- Waterproof IP. IP67

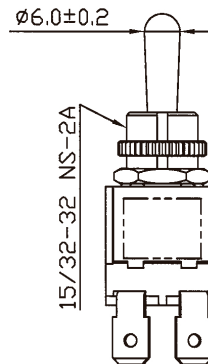
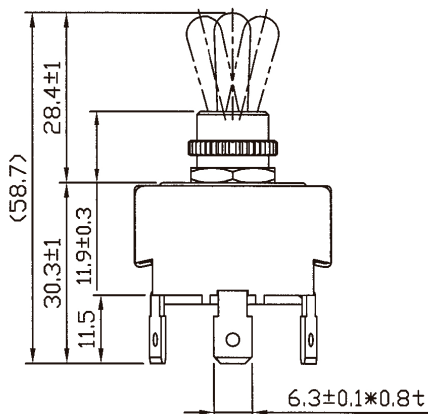
## Ordering information

**TB1** - **1 A** - **DC** - **1** - **W**

SERIES	CIRCUIT	RATING	TERMINAL	LEVER
• TB1	<ul style="list-style-type: none"> <li>• 1: SP // 2: DP</li> <li>• A: OFF - ON</li> <li>• B: OFF - (ON)</li> <li>• D: ON - ON</li> <li>• E: ON - (ON)</li> <li>• F: ON - OFF - ON</li> <li>• G: (ON) - OFF - (ON)</li> <li>• H: ON - OFF - (ON)</li> </ul>	<ul style="list-style-type: none"> <li>• DC: 21A 14V DC</li> <li>25A 12V DC</li> <li>15A 22V DC</li> </ul>	<ul style="list-style-type: none"> <li>• 1: 250° SQ</li> <li>• 5: SO</li> <li>• 6: SC 6-32UNC</li> <li>• W: WIRE</li> </ul>	<ul style="list-style-type: none"> <li>• W: Water Sealed</li> </ul>

## Dimensions

In Millimeters



Ø	12.2 mm
	6 mm max

Further details about standards and certifications in technical data sheet. Accessories available only for some models

## TOGGLE SWITCH - TB1 Series

### Models

Model No.	Circuitry	Action	Rating	Terminal	Lever
TB1-2A-DC-1	4P DPST	OFF-ON	21A 14V DC	250" SQ	
TB1-2B-DC-1	4P DPST	OFF-(ON)	21A 14V DC	250" SQ	
TB1-2D-DC-1	6P DPDT	ON-ON	21A 14V DC	250" SQ	
TB1-2E-DC-1	6P DPDT	ON-(ON)	21A 14V DC	250" SQ	
TB1-2F-DC-1	6P DPDT	ON-OFF-ON	21A 14V DC	250" SQ	
TB1-2G-DC-1	6P DPDT	(ON)-OFF-(ON)	21A 14V DC	250" SQ	
TB1-2H-DC-1	6P DPDT	ON-OFF-(ON)	21A 14V DC	250" SQ	
TB1-2A-DC-5	4P DPST	OFF-ON	21A 14V DC	SO	
TB1-2D-DC-5	6P DPDT	ON-ON	21A 14V DC	SO	
TB1-2F-DC-5	6P DPDT	ON-OFF-ON	21A 14V DC	SO	
TB1-2A-DC-6	4P DPST	OFF-ON	21A 14V DC	SC 6-32UNC	
TB1-2B-DC-6	4P DPST	OFF-(ON)	21A 14V DC	SC 6-32UNC	
TB1-2D-DC-6	6P DPDT	ON-ON	21A 14V DC	SC 6-32UNC	
TB1-2E-DC-6	6P DPDT	ON-(ON)	21A 14V DC	SC 6-32UNC	
TB1-2F-DC-6	6P DPDT	ON-OFF-ON	21A 14V DC	SC 6-32UNC	
TB1-2G-DC-6	6P DPDT	(ON)-OFF-(ON)	21A 14V DC	SC 6-32UNC	
TB1-2H-DC-6	6P DPDT	ON-OFF-(ON)	21A 14V DC	SC 6-32UNC	
TB1-1A-DC-WW	2P SPST	OFF-ON	25A 12V DC / 15A 24V DC	WIRE	Water Sealed
TB1-1B-DC-WW	2P SPST	OFF-(ON)	25A 12V DC / 15A 24V DC	WIRE	Water Sealed
TB1-1D-DC-WW	3P SPDT	ON-ON	25A 12V DC / 15A 24V DC	WIRE	Water Sealed
TB1-1F-DC-WW	3P SPDT	ON-OFF-ON	25A 12V DC / 15A 24V DC	WIRE	Water Sealed
TB1-1G-DC-WW	3P SPDT	(ON)-OFF-(ON)	25A 12V DC / 15A 24V DC	WIRE	Water Sealed
TB1-2A-DC-WW	4P DPST	OFF-ON	25A 12V DC / 15A 24V DC	WIRE	Water Sealed

STARTER SWITCH

PUSH BUTTON SWITCH

PUSH-PULL SWITCH

TOGGLE SWITCH

STANDARD ROCKER SWITCH

SEALED ROCKER SWITCH

BATTERY SWITCH

ACCESSORIES

# TOGGLE SWITCH - TB2 Series

STARTER SWITCH

PUSH BUTTON SWITCH

PUSH-PULL SWITCH

TOGGLE SWITCH

STANDARD ROCKER SWITCH

SEALED ROCKER SWITCH

BATTERY SWITCH

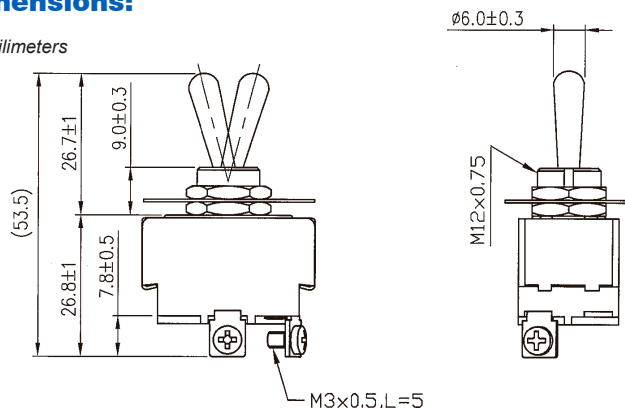
ACCESSORIES



TB2

### Dimensions:

In Millimeters



### Accessories / Features\*:

- Waterproof boot. WT1
- Wire connector. CW1
- Safety cover. SC

Ø	12.2 mm
	6 mm max

## Ordering information

TB2 - **1** **A** - DC - **1**

SERIES	CIRCUIT	RATING	TERMINAL
• TB2	<ul style="list-style-type: none"> <li>• 1: SP // 2: DP</li> <li>• A: OFF - ON</li> <li>• B: OFF - (ON)</li> <li>• D: ON - ON</li> <li>• F: ON - OFF - ON</li> <li>• G: (ON) - OFF - (ON)</li> <li>• H: ON - OFF - (ON)</li> </ul>	<ul style="list-style-type: none"> <li>• DC: 20A 12V DC</li> <li>10A 24V DC</li> </ul>	<ul style="list-style-type: none"> <li>• 1: 250" SQ</li> <li>• 4: SC M3</li> </ul>

## Models

Model No.	Circuitry	Action	Rating	Terminal
TB2-1A-DC-1	2P SPST	OFF-ON	20A 12V DC / 10A 24V DC	250" SQ
TB2-2A-DC-1	4P DPST	OFF-ON	20A 12V DC / 10A 24V DC	250" SQ
TB2-2B-DC-1	4P DPST	OFF-(ON)	20A 12V DC / 10A 24V DC	250" SQ
TB2-2D-DC-1	6P DPDT	ON-ON	20A 12V DC / 10A 24V DC	250" SQ
TB2-2F-DC-1	6P DPDT	ON-OFF-ON	20A 12V DC / 10A 24V DC	250" SQ
TB2-2G-DC-1	6P DPDT	(ON)-OFF-(ON)	20A 12V DC / 10A 24V DC	250" SQ
TB2-2H-DC-1	6P DPDT	ON-OFF-(ON)	20A 12V DC / 10A 24V DC	250" SQ
TB2-1A-DC-4	2P SPST	OFF-ON	20A 12V DC / 10A 24V DC	SC M3
TB2-2A-DC-4	4P DPST	OFF-ON	20A 12V DC / 10A 24V DC	SC M3
TB2-2D-DC-4	6P DPDT	ON-ON	20A 12V DC / 10A 24V DC	SC M3
TB2-2F-DC-4	6P DPDT	ON-OFF-ON	20A 12V DC / 10A 24V DC	SC M3

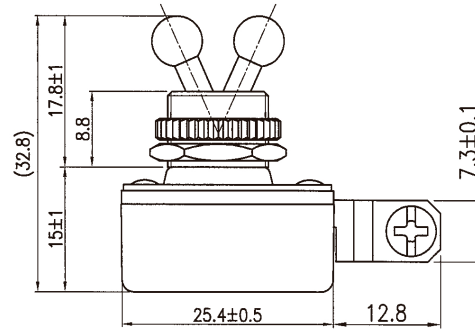
## TOGGLE SWITCH - TC Series



TC

### Dimensions:

In Millimeters



### Accessories / Features\*:

- Waterproof boot. WT1

Ø	12.2 mm
	2 mm max

### Ordering information

**TC - 1 A - DC - 6 - 1**

SERIES	CIRCUIT	RATING	TERMINAL	LEVER
• TC	<ul style="list-style-type: none"> <li>1: SP</li> <li>A: OFF - ON</li> </ul>	<ul style="list-style-type: none"> <li>DC: 6A 12V DC</li> </ul>	<ul style="list-style-type: none"> <li>6: SC 6-32UNC</li> <li>W: WIRE</li> </ul>	<ul style="list-style-type: none"> <li>1: Ball</li> <li>2: Standard</li> </ul>

### Models

Model No.	Circuitry	Action	Rating	Terminal	Lever
TC-1A-DC-6-1	2P SPST	OFF-ON	6A 12V DC	SC 6-32UNC	Ball
TC-1A-DC-W-1	2P SPST	OFF-ON	6A 12V DC	WIRE	Ball
TC-1A-DC-6-2	2P SPST	OFF-ON	6A 12V DC	SC 6-32UNC	Standard
TC-1A-DC-W-2	2P SPST	OFF-ON	6A 12V DC	WIRE	Standard

# TOGGLE SWITCH - TD1 Series

STARTER SWITCH

PUSH BUTTON SWITCH

PUSH-PULL SWITCH

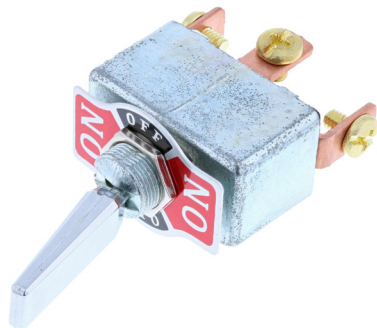
TOGGLE SWITCH

STANDARD ROCKER SWITCH

SEALED ROCKER SWITCH

BATTERY SWITCH

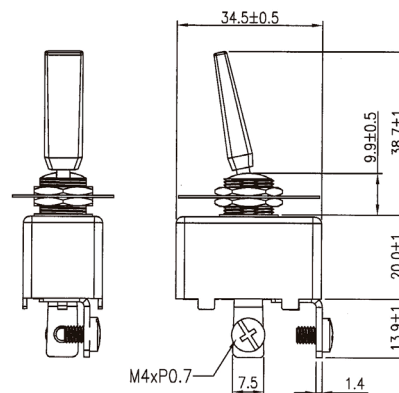
ACCESSORIES



TD1

### Dimensions:

In Millimeters



Ø	12.2 mm
±	3 mm max

### Ordering information



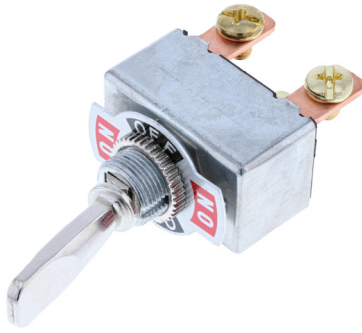
SERIES	CIRCUIT	RATING	TERMINAL	LEVER
• TD1	<ul style="list-style-type: none"> <li>• 1: SP</li> <li>• A: OFF - ON</li> <li>• D: ON - ON</li> <li>• F: ON - OFF - ON</li> </ul>	<ul style="list-style-type: none"> <li>• DC: 50A 12V DC</li> </ul>	<ul style="list-style-type: none"> <li>• 3: SC M4</li> </ul>	<ul style="list-style-type: none"> <li>• P: Chrome Plated</li> <li>• B: Black</li> <li>• R: Red</li> <li>• H: Long Plastic</li> <li>• M: Standard Plastic</li> </ul>

### Models

Model No.	Circuitry	Action	Rating	Terminal	Lever
TD1-1A-DC-3-P	2P SPST	OFF-ON	50A 12V DC	SC M4	Chrome Plated
TD1-1D-DC-3-P	3P SPDT	ON-ON	50A 12V DC	SC M4	Chrome Plated
TD1-1F-DC-3-P	3P SPDT	ON-OFF-ON	50A 12V DC	SC M4	Chrome Plated
TD1-1A-DC-3-B	2P SPST	OFF-ON	50A 12V DC	SC M4	Black
TD1-1A-DC-3-R	2P SPST	OFF-ON	50A 12V DC	SC M4	Red
TD1-1A-DC-3-H	2P SPST	OFF-ON	50A 12V DC	SC M4	Long Plastic
TD1-1A-DC-3-M	2P SPST	OFF-ON	50A 12V DC	SC M4	Standard Plastic



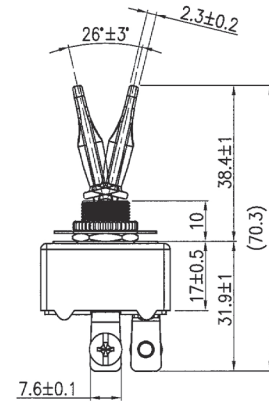
# TOGGLE SWITCH - TD2 Series



TD2

### Dimensions:

In Millimeters



Ø	12.2 mm
	3 mm max

## Ordering information

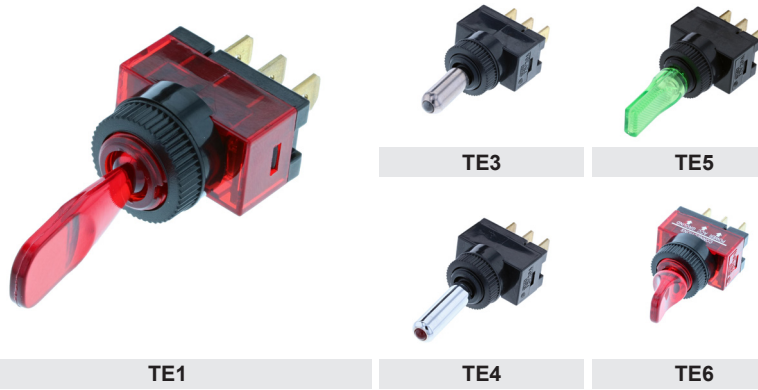
**TD2 - 1 A - DC - 3**

SERIES	CIRCUIT	RATING	TERMINAL
• TD2	<ul style="list-style-type: none"> <li>• 1: SP</li> <li>• A: OFF - ON</li> <li>• D: ON - ON</li> <li>• F: ON - OFF - ON</li> <li>• G: (ON) - OFF - (ON)</li> </ul>	• DC: 50A 12V DC	• 3: SC M4

## Models

Model No.	Circuitry	Action	Rating	Terminal
TD2-1A-DC-3-H	2P SPST	OFF-ON	50A 12V DC	SC M4
TD2-1D-DC-3-H	3P SPDT	ON-ON	50A 12V DC	SC M4
TD2-1F-DC-3-H	3P SPDT	ON-OFF-ON	50A 12V DC	SC M4
TD2-1G-DC-3-H	3P SPDT	(ON)-OFF-(ON)	50A 12V DC	SC M4

# TOGGLE SWITCH - TE Series



### Accessories / Features\*:

- Safety cover. SC

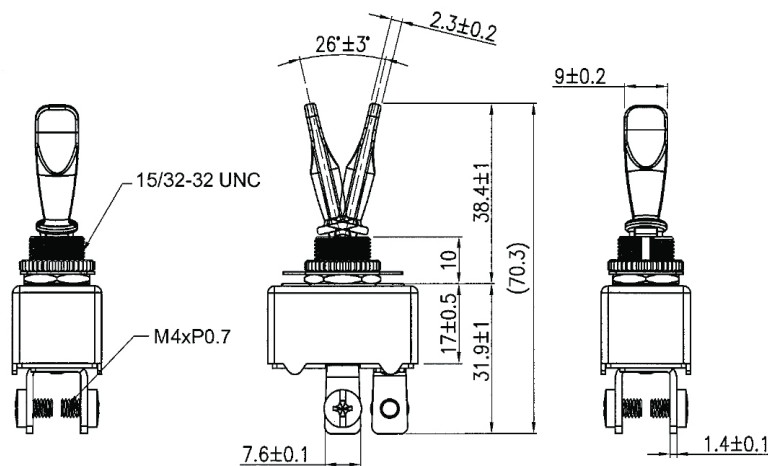
## Ordering information

**TE1** - **1** **A** - **DC** - **1** - **PB**

SERIES	CIRCUIT	RATING	TERMINAL	LEVER
<ul style="list-style-type: none"> <li>• TE1</li> <li>• TE3</li> <li>• TE4</li> <li>• TE5</li> <li>• TE6</li> </ul>	<ul style="list-style-type: none"> <li>• 1: SP</li> <li>• A: OFF - ON</li> <li>• D: ON - ON</li> <li>• F: ON - OFF - ON</li> </ul>	<ul style="list-style-type: none"> <li>• DC: 20A 12V DC</li> </ul>	<ul style="list-style-type: none"> <li>• 1: 250" SQ</li> </ul>	<ul style="list-style-type: none"> <li>• PB: Plastic Black</li> <li>• AL: LED-D Amber</li> <li>• GL: LED-D Green</li> <li>• RL: LED-D Red</li> <li>• UL: LED-D Blue</li> </ul>

## Dimensions

In Millimeters



∅	12.2 mm
	2 mm max

Further details about standards and certifications in technical data sheet. Accessories available only for some models

## TOGGLE SWITCH - TE Series

### Models

Model No.	Circuitry	Action	Rating	Terminal	Lever
TE1-1A-DC-1-PB	2P SPST	OFF-ON	20A 12V DC	250" SQ	Plastic Black
TE1-1D-DC-1-PB	3P SPDT	ON-ON	20A 12V DC	250" SQ	Plastic Black
TE1-1F-DC-1-PB	3P SPDT	ON-OFF-ON	20A 12V DC	250" SQ	Plastic Black
TE1-1A-DC-1-AL	3P SPST	OFF-ON	20A 12V DC	250" SQ	LED-D Amber
TE1-1A-DC-1-GL	3P SPST	OFF-ON	20A 12V DC	250" SQ	LED-D Green
TE1-1A-DC-1-RL	3P SPST	OFF-ON	20A 12V DC	250" SQ	LED-D Red
TE1-1A-DC-1-UL	3P SPST	OFF-ON	20A 12V DC	250" SQ	LED-D Blue
TE3-1A-DC-1-AL	3P SPST	OFF-ON	20A 12V DC	250" SQ	LED-D Amber
TE3-1A-DC-1-GL	3P SPST	OFF-ON	20A 12V DC	250" SQ	LED-D Green
TE3-1A-DC-1-RL	3P SPST	OFF-ON	20A 12V DC	250" SQ	LED-D Red
TE4-1A-DC-1-GL	3P SPST	OFF-ON	20A 12V DC	250" SQ	LED-D Green
TE4-1A-DC-1-RL	3P SPST	OFF-ON	20A 12V DC	250" SQ	LED-D Red
TE5-1A-DC-1-RL	3P SPST	OFF-ON	20A 12V DC	250" SQ	LED-D Red
TE6-1A-DC-1-PB	3P SPST	OFF-ON	20A 12V DC	250" SQ	Plastic Black
TE6-1A-DC-1-AL	3P SPST	OFF-ON	20A 12V DC	250" SQ	LED-D Amber
TE6-1A-DC-1-GL	3P SPST	OFF-ON	20A 12V DC	250" SQ	LED-D Green
TE6-1A-DC-1-RL	3P SPST	OFF-ON	20A 12V DC	250" SQ	LED-D Red
TE6-1A-DC-1-UL	3P SPST	OFF-ON	20A 12V DC	250" SQ	LED-D Blue

STARTER SWITCH

PUSH BUTTON SWITCH

PUSH-PULL SWITCH

TOGGLE SWITCH

STANDARD ROCKER SWITCH

SEALED ROCKER SWITCH

BATTERY SWITCH

ACCESSORIES

# STANDARD ROCKER SWITCH - RA Series



RA1

RA2

RA4

RA3

RA5

### Standards and certifications\*:



### Accessories / Features\*:

- Wire connector. CW2
- Waterproof boot. WR1 (IP55)
- Waterproof IP. IP65

### Ordering information

RA1

1

A

DC

2

B

1

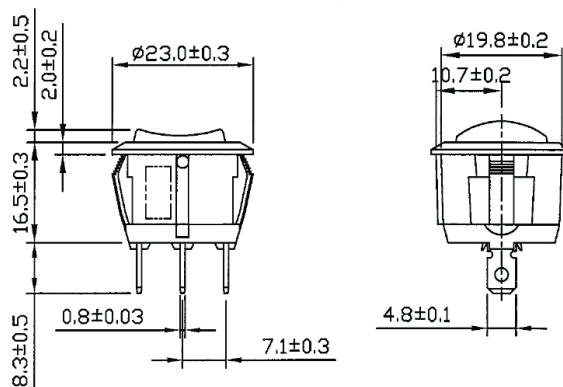
SERIES	CIRCUIT	RATING	TERMINAL	ACTUATOR	PRINT
<ul style="list-style-type: none"> <li>• RA1</li> <li>• RA2</li> <li>• RA3</li> <li>• RA4</li> <li>• RA5</li> </ul>	<ul style="list-style-type: none"> <li>• 1: SP // 2: DP</li> <li>• A: OFF - ON</li> <li>• B: OFF - (ON)</li> <li>• D: ON - ON</li> <li>• F: ON - OFF - ON</li> <li>• G: (ON) - OFF - (ON)</li> </ul>	<ul style="list-style-type: none"> <li>• DC: 20A 14V DC</li> <li>10A 28V DC</li> </ul>	<ul style="list-style-type: none"> <li>• 2: 187" SQ</li> </ul>	<ul style="list-style-type: none"> <li>• B: Black</li> <li>• R: Black&amp;Red</li> <li>• H: White</li> <li>• GL: LED-D Green</li> <li>• AL: LED-D Amber</li> <li>• RL: LED-D Red</li> <li>• UL: LED-D Blue</li> </ul>	<ul style="list-style-type: none"> <li>• 1: 0-</li> <li>• 2: OFF-ON</li> <li>• 3: Point</li> <li>• 4: I-II</li> <li>• 5: I O II</li> </ul>

\*Some models available in LED-I instead

\*Check models available

### Dimensions

In Millimeters



$\phi$	20.2 mm
$\frac{\square}{\square}$	0.7~3.0 mm max

Further details about standards and certifications in technical data sheet. Accessories available only for some models

## STANDARD ROCKER SWITCH - RA Series

### Models

Model No.	Circuitry	Action	Rating	Terminal	Actuator
RA1-1A-DC-2-B	2P SPST	OFF-ON	20A 14V DC / 10A 28V DC	187" SQ	Black
RA1-1A-DC-2-B-1	2P SPST	OFF-ON	20A 14V DC / 10A 28V DC	187" SQ	Black w/ Legend 0-
RA1-1A-DC-2-B-2	2P SPST	OFF-ON	20A 14V DC / 10A 28V DC	187" SQ	Black w/ Legend ON-OFF
RA1-1A-DC-2-B-3	2P SPST	OFF-ON	20A 14V DC / 10A 28V DC	187" SQ	Black w/ Legend Point
RA1-1A-DC-2-R	2P SPST	OFF-ON	20A 14V DC / 10A 28V DC	187" SQ	Black&Red
RA1-1A-DC-2-H	2P SPST	OFF-ON	20A 14V DC / 10A 28V DC	187" SQ	White
RA1-1B-DC-2-B	2P SPST	OFF-(ON)	20A 14V DC / 10A 28V DC	187" SQ	Black
RA1-1D-DC-2-B	3P SPDT	ON-ON	20A 14V DC / 10A 28V DC	187" SQ	Black
RA1-1D-DC-2-B-4	3P SPDT	ON-ON	20A 14V DC / 10A 28V DC	187" SQ	Black w/ Legend I-II
RA1-1F-DC-2-B	3P SPDT	ON-OFF-ON	20A 14V DC / 10A 28V DC	187" SQ	Black
RA1-1F-DC-2-B-5	3P SPDT	ON-OFF-ON	20A 14V DC / 10A 28V DC	187" SQ	Black w/ Legend I 0 II
RA1-1G-DC-2-B	3P SPDT	(ON)-OFF-(ON)	20A 14V DC / 10A 28V DC	187" SQ	Black
RA1-1A-DC-2-AL	3P SPST	OFF-ON	20A 14V DC	187" SQ	LED-D Amber
RA1-1A-DC-2-GL	3P SPST	OFF-ON	20A 14V DC	187" SQ	LED-D Green
RA1-1A-DC-2-RL	3P SPST	OFF-ON	20A 14V DC	187" SQ	LED-D Red
RA1-2A-DC-2-B	4P DPST	OFF-ON	20A 14V DC / 10A 28V DC	187" SQ	Black
RA1-2A-DC-2-B-1	4P DPST	OFF-ON	20A 14V DC / 10A 28V DC	187" SQ	Black w/ Legend 0-
RA1-2A-DC-2-B-2	4P DPST	OFF-ON	20A 14V DC / 10A 28V DC	187" SQ	Black w/ Legend ON-OFF
RA1-2D-DC-2-B	6P DPDT	ON-ON	20A 14V DC / 10A 28V DC	187" SQ	Black
RA1-2F-DC-2-B	6P DPDT	ON-OFF-ON	20A 14V DC / 10A 28V DC	187" SQ	Black
RA1-2F-DC-2-B-5	6P DPDT	ON-OFF-ON	20A 14V DC / 10A 28V DC	187" SQ	Black w/ Legend I 0 II
RA1-2G-DC-2-B	6P DPDT	(ON)-OFF-(ON)	20A 14V DC / 10A 28V DC	187" SQ	Black
RA2-1A-DC-2-AL	3P SPST	OFF-ON	20A 14V DC	187" SQ	LED-D Amber
RA2-1A-DC-2-GL	3P SPST	OFF-ON	20A 14V DC	187" SQ	LED-D Green
RA2-1A-DC-2-RL	3P SPST	OFF-ON	20A 14V DC	187" SQ	LED-D Red
RA2-1A-DC-2-UL	3P SPST	OFF-ON	20A 14V DC	187" SQ	LED-D Blue
RA3-1A-DC-2-AL	4P SPST	OFF-ON	20A 14V DC	187" SQ	LED-I Amber
RA3-1A-DC-2-GL	4P SPST	OFF-ON	20A 14V DC	187" SQ	LED-I Green
RA3-1A-DC-2-RL	4P SPST	OFF-ON	20A 14V DC	187" SQ	LED-I Red
RA4-1A-DC-2-B	2P SPST	OFF-ON	20A 14V DC / 10A 28V DC	187" SQ	Black
RA4-1B-DC-2-B	2P SPST	OFF-(ON)	20A 14V DC / 10A 28V DC	187" SQ	Black
RA4-1A-DC-2-AL	3P SPST	OFF-ON	20A 14V DC	187" SQ	LED-D Amber
RA4-1A-DC-2-GL	3P SPST	OFF-ON	20A 14V DC	187" SQ	LED-D Green
RA4-1A-DC-2-RL	3P SPST	OFF-ON	20A 14V DC	187" SQ	LED-D Red
RA4-2A-DC-2-B	4P DPST	OFF-ON	20A 14V DC / 10A 28V DC	187" SQ	Black
RA4-2D-DC-2-B	6P DPDT	ON-ON	20A 14V DC / 10A 28V DC	187" SQ	Black
RA4-2A-DC-2-GL	4P DPST	OFF-ON	20A 14V DC	187" SQ	LED-D Green
RA4-2A-DC-2-RL	4P DPST	OFF-ON	20A 14V DC	187" SQ	LED-D Red
RA5-1A-DC-2-RL	4P SPST	OFF-ON	20A 14V DC	187" SQ	LED-I Red

STARTER SWITCH

PUSH BUTTON SWITCH

PUSH-PULL SWITCH

TOGGLE SWITCH

STANDARD ROCKER SWITCH

SEALED ROCKER SWITCH

BATTERY SWITCH

ACCESSORIES

# STANDARD ROCKER SWITCH - RB Series

STARTER SWITCH

PUSH BUTTON SWITCH

PUSH-PULL SWITCH

TOGGLE SWITCH

STANDARD ROCKER SWITCH

SEALED ROCKER SWITCH

BATTERY SWITCH

ACCESSORIES



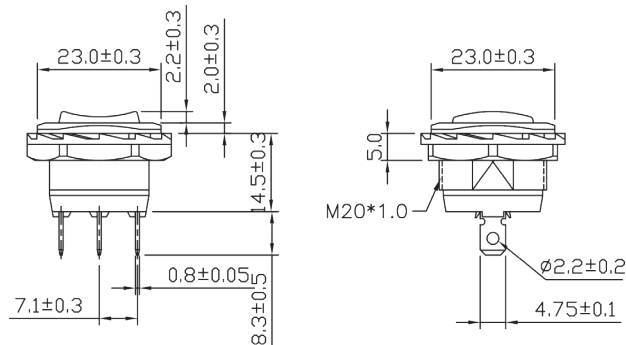
RB1



RB2

### Dimensions:

In Millimeters



### Accessories / Features\*:

- Wire connector. CW2

Ø	20.2 mm
	6 mm max

## Ordering information

RB1

1

A

DC

2

B

1

SERIES	CIRCUIT	RATING	TERMINAL	ACTUATOR	PRINT
<ul style="list-style-type: none"> <li>• RB1</li> <li>• RB2</li> </ul>	<ul style="list-style-type: none"> <li>• 1: SP</li> <li>• A: OFF - ON</li> <li>• B: OFF - (ON)</li> <li>• D: ON - ON</li> <li>• F: ON - OFF - ON</li> </ul>	<ul style="list-style-type: none"> <li>• DC: 20A 14V DC</li> <li>10A 28V DC</li> </ul>	<ul style="list-style-type: none"> <li>• 2: 187" SQ</li> </ul>	<ul style="list-style-type: none"> <li>• B: Black</li> <li>• R: Black&amp;Red</li> <li>• GL: LED-D Green</li> <li>• AL: LED-D Amber</li> <li>• RL: LED-D Red</li> </ul>	<ul style="list-style-type: none"> <li>• 1: 0-</li> <li>• 3: Point</li> </ul>

## Models

Model No.	Circuitry	Action	Rating	Terminal	Actuator
RB1-1A-DC-2-B	2P SPST	OFF-ON	20A 14V DC / 10A 28V DC	187" SQ	Black
RB1-1A-DC-2-B-1	2P SPST	OFF-ON	20A 14V DC / 10A 28V DC	187" SQ	Black w/ Legend 0-
RB1-1A-DC-2-B-3	2P SPST	OFF-ON	20A 14V DC / 10A 28V DC	187" SQ	Black w/ Legend Point
RB1-1A-DC-2-R	2P SPST	OFF-ON	20A 14V DC / 10A 28V DC	187" SQ	Black&Red
RB1-1B-DC-2-B	2P SPST	OFF-(ON)	20A 14V DC / 10A 28V DC	187" SQ	Black
RB1-1D-DC-2-B	3P SPDT	ON-ON	20A 14V DC / 10A 28V DC	187" SQ	Black
RB1-1F-DC-2-B	3P SPDT	ON-OFF-ON	20A 14V DC / 10A 28V DC	187" SQ	Black
RB2-1A-DC-2-AL	3P SPST	OFF-ON	20A 14V DC	187" SQ	LED-D Amber
RB2-1A-DC-2-GL	3P SPST	OFF-ON	20A 14V DC	187" SQ	LED-D Green
RB2-1A-DC-2-RL	3P SPST	OFF-ON	20A 14V DC	187" SQ	LED-D Red

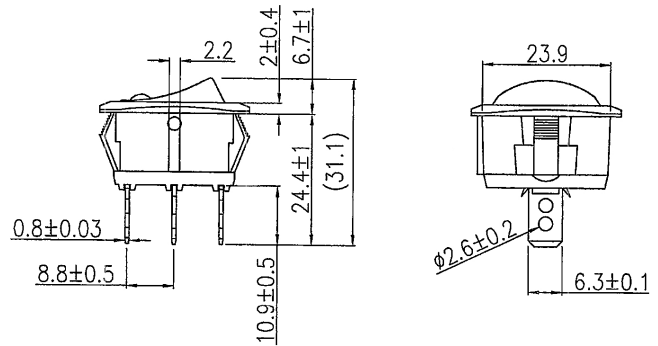
# STANDARD ROCKER SWITCH - RC Series



RC

### Dimensions:

In Millimeters



Ø	24 mm
$\frac{\square}{\square}$	1~4.0 mm max

### Ordering information

**RC - 1 A - DC - 3 - RL**

SERIES	CIRCUIT	RATING	TERMINAL	ACTUATOR
• RC	<ul style="list-style-type: none"> <li>• 1: SP</li> <li>• A: OFF - ON</li> </ul>	• DC: 25A 12V DC	• 1: 250" SQ	<ul style="list-style-type: none"> <li>• GL: LED-D Green</li> <li>• AL: LED-D Amber</li> <li>• RL: LED-D Red</li> <li>• UL: LED-D Blue</li> </ul>

### Models

Model No.	Circuitry	Action	Rating	Terminal	Actuator
RC-1A-DC-1-AL	3P SPST	OFF-ON	25A 12V DC	250" SQ	LED-D Amber
RC-1A-DC-1-GL	3P SPST	OFF-ON	25A 12V DC	250" SQ	LED-D Green
RC-1A-DC-1-RL	3P SPST	OFF-ON	25A 12V DC	250" SQ	LED-D Red
RC-1A-DC-1-UL	3P SPST	OFF-ON	25A 12V DC	250" SQ	LED-D Blue

# STANDARD ROCKER SWITCH - RD Series

STARTER SWITCH

PUSH BUTTON SWITCH

PUSH-PULL SWITCH

TOGGLE SWITCH

STANDARD ROCKER SWITCH

SEALED ROCKER SWITCH

BATTERY SWITCH

ACCESSORIES



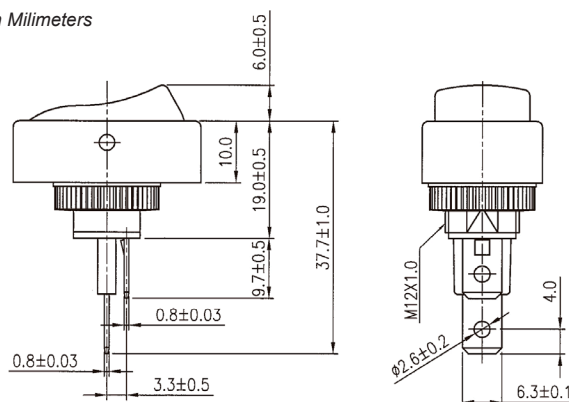
RD1



RD2

## Dimensions:

In Millimeters



Ø	12.2 mm
	4 mm max

## Ordering information

RD1

1 A

DC

1

B

SERIES	CIRCUIT	RATING	TERMINAL	ACTUATOR
<ul style="list-style-type: none"> <li>RD1</li> <li>RD2</li> </ul>	<ul style="list-style-type: none"> <li>1: SP</li> <li>A: OFF - ON</li> </ul>	<ul style="list-style-type: none"> <li>DC: 30A 12V DC</li> </ul>	<ul style="list-style-type: none"> <li>1: 250" SQ</li> </ul>	<ul style="list-style-type: none"> <li>B: Black</li> <li>AL: LED-D Amber</li> <li>GL: LED-D Green</li> <li>RL: LED-D Red</li> <li>UL: LED-D Blue</li> </ul>

## Models

Model No.	Circuitry	Action	Rating	Terminal	Actuator
RD1-1A-DC-1-B	2P SPST	OFF-ON	30A 12V DC	250" SQ	Black
RD1-1A-DC-1-AL	3P SPST	OFF-ON	30A 12V DC	250" SQ	LED-D Amber
RD1-1A-DC-1-GL	3P SPST	OFF-ON	30A 12V DC	250" SQ	LED-D Green
RD1-1A-DC-1-RL	3P SPST	OFF-ON	30A 12V DC	250" SQ	LED-D Red
RD1-1A-DC-1-UL	3P SPST	OFF-ON	30A 12V DC	250" SQ	LED-D Blue
RD2-1A-DC-1-AL	3P SPST	OFF-ON	30A 12V DC	250" SQ	LED-D Amber
RD2-1A-DC-1-GL	3P SPST	OFF-ON	30A 12V DC	250" SQ	LED-D Green
RD2-1A-DC-1-RL	3P SPST	OFF-ON	30A 12V DC	250" SQ	LED-D Red
RD2-1A-DC-1-UL	3P SPST	OFF-ON	30A 12V DC	250" SQ	LED-D Blue



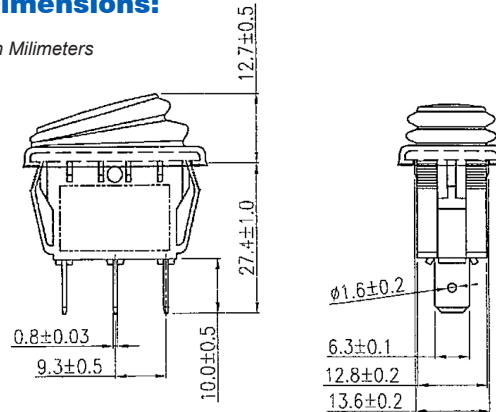
# STANDARD ROCKER SWITCH - RE Series



RE2

### Dimensions:

In Millimeters



### Accessories / Features\*:

- Waterproof IP: IP65

	27.6 x 13.8 mm
	0.75~4.5 mm max

## Ordering information

RE2 - 1 A - DC - 1 - B

SERIES	CIRCUIT	RATING	TERMINAL	ACTUATOR
• RE2	<ul style="list-style-type: none"> <li>1: SP</li> <li>A: OFF - ON</li> <li>F: ON - OFF - ON</li> </ul>	<ul style="list-style-type: none"> <li>DC: 25A 14V DC</li> <li>15A 28V DC</li> </ul>	<ul style="list-style-type: none"> <li>1: 250" SQ</li> </ul>	<ul style="list-style-type: none"> <li>B: Black</li> <li>AL: LED-D Amber</li> <li>GL: LED-D Green</li> <li>RL: LED-D Red</li> <li>UL: LED-D Blue</li> </ul>

## Models

Model No.	Circuitry	Action	Rating	Terminal	Actuator
RE2-1F-DC-1-B	3P SPDT	ON-OFF-ON	25A 14V DC / 15A 28V DC	250" SQ	Black
RE2-1A-DC-1-AL	3P SPST	OFF-ON	25A 14V DC	250" SQ	LED-D Amber
RE2-1A-DC-1-GL	3P SPST	OFF-ON	25A 14V DC	250" SQ	LED-D Green
RE2-1A-DC-1-RL	3P SPST	OFF-ON	25A 14V DC	250" SQ	LED-D Red
RE2-1A-DC-1-UL	3P SPST	OFF-ON	25A 14V DC	250" SQ	LED-D Blue

# STANDARD ROCKER SWITCH - RF Series



RF1

RF2

RF3

### Standards and certifications\*:



### Accessories / Features\*:

- Waterproof boot. WR2 (IP55)
- Waterproof IP. IP65

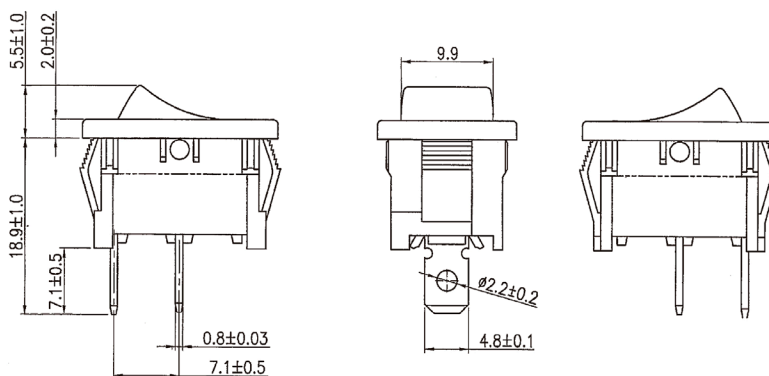
### Ordering information

**RF1** - **1** **A** - **DC** - **2** - **B** - **1**

SERIES	CIRCUIT	RATING	TERMINAL	ACTUATOR	PRINT
<ul style="list-style-type: none"> <li>• RF1</li> <li>• RF2</li> <li>• RF3</li> </ul>	<ul style="list-style-type: none"> <li>• 1: SP</li> <li>• A: OFF - ON</li> <li>• B: OFF - (ON)</li> <li>• D: ON - ON</li> <li>• E: ON - (ON)</li> <li>• F: ON - OFF - ON</li> <li>• G: (ON) - OFF - (ON)</li> </ul>	<ul style="list-style-type: none"> <li>• DC: 20A 12V DC</li> <li>10A 24V DC</li> <li>16A 12V DC</li> </ul>	<ul style="list-style-type: none"> <li>• 2: 187" SQ</li> </ul>	<ul style="list-style-type: none"> <li>• B: Black</li> <li>• GL: LED-D Green</li> <li>• RL: LED-D Red</li> </ul>	<ul style="list-style-type: none"> <li>• 1: 0-</li> <li>• 2: OFF-ON</li> <li>• 3: Point</li> <li>• 4: I-II</li> <li>• 5: I O II</li> </ul> <p><i>*Check models available</i></p>

### Dimensions

In Millimeters



	19.2 x 13.0 mm
	0.75~3.0 mm max

Further details about standards and certifications in technical data sheet. Accessories available only for some models

## STANDARD ROCKER SWITCH - RF Series

### Models

Model No.	Circuitry	Action	Rating	Terminal	Actuator
RF1-1A-DC-2-B	2P SPST	OFF-ON	20A 12V DC / 10A 24V DC	187" SQ	Black
RF1-1A-DC-2-B-1	2P SPST	OFF-ON	20A 12V DC / 10A 24V DC	187" SQ	Black w/ Legend 0-
RF1-1A-DC-2-B-2	2P SPST	OFF-ON	20A 12V DC / 10A 24V DC	187" SQ	Black w/ Legend ON-OFF
RF1-1A-DC-2-B-3	2P SPST	OFF-ON	20A 12V DC / 10A 24V DC	187" SQ	Black w/ Legend Point
RF1-1B-DC-2-B	2P SPST	OFF-(ON)	20A 12V DC / 10A 24V DC	187" SQ	Black
RF1-1B-DC-2-B-1	2P SPST	OFF-(ON)	20A 12V DC / 10A 24V DC	187" SQ	Black w/ Legend 0-
RF1-1D-DC-2-B	3P SPDT	ON-ON	20A 12V DC / 10A 24V DC	187" SQ	Black
RF1-1D-DC-2-B-4	3P SPDT	ON-ON	20A 12V DC / 10A 24V DC	187" SQ	Black w/ Legend I-II
RF1-1E-DC-2-B	3P SPDT	ON-(ON)	20A 12V DC / 10A 24V DC	187" SQ	Black
RF1-1E-DC-2-B-4	3P SPDT	ON-(ON)	20A 12V DC / 10A 24V DC	187" SQ	Black w/ Legend I-II
RF1-1F-DC-2-B	3P SPDT	ON-OFF-ON	20A 12V DC / 10A 24V DC	187" SQ	Black
RF1-1F-DC-2-B-5	3P SPDT	ON-OFF-ON	20A 12V DC / 10A 24V DC	187" SQ	Black w/ Legend I 0 II
RF1-1G-DC-2-B	3P SPDT	(ON)-OFF-(ON)	20A 12V DC / 10A 24V DC	187" SQ	Black
RF1-1A-DC-2-RL	3P SPST	OFF-ON	16A 12V DC	187" SQ	LED-D Red
RF2-1A-DC-2-GL	3P SPST	OFF-ON	16A 12V DC	187" SQ	LED-D Green
RF2-1A-DC-2-RL	3P SPST	OFF-ON	16A 12V DC	187" SQ	LED-D Red
RF3-1A-DC-2-B	2P SPST	OFF-ON	20A 12V DC / 10A 24V DC	187" SQ	Black
RF3-1D-DC-2-B	3P SPDT	ON-ON	20A 12V DC / 10A 24V DC	187" SQ	Black
RF3-1A-DC-2-GL	3P SPST	OFF-ON	16A 12V DC	187" SQ	LED-D Green
RF3-1A-DC-2-RL	3P SPST	OFF-ON	16A 12V DC	187" SQ	LED-D Red

STARTER SWITCH

PUSH BUTTON SWITCH

PUSH-PULL SWITCH

TOGGLE SWITCH

STANDARD ROCKER SWITCH

SEALED ROCKER SWITCH

BATTERY SWITCH

ACCESSORIES

# STANDARD ROCKER SWITCH - RG Series

STARTER SWITCH

PUSH BUTTON SWITCH

PUSH-PULL SWITCH

TOGGLE SWITCH

STANDARD ROCKER SWITCH

SEALED ROCKER SWITCH

BATTERY SWITCH

ACCESSORIES



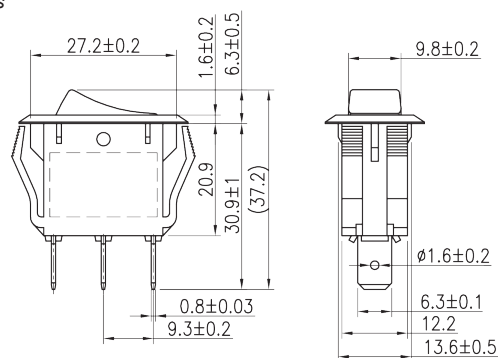
RG1

RG2

RG3

## Dimensions:

In Millimeters



## Standards and certifications\*:



	27.6 x 13.8 mm
	0.75~5.0 mm max

## Ordering information

RG1

1

A

DC

1

B

3

SERIES	CIRCUIT	RATING	TERMINAL	ACTUATOR	PRINT
<ul style="list-style-type: none"> <li>RG1</li> <li>RG2</li> <li>RG3</li> </ul>	<ul style="list-style-type: none"> <li>1: SP</li> <li>A: OFF - ON</li> <li>F: ON - OFF - ON</li> </ul>	<ul style="list-style-type: none"> <li>DC: 20A 12V DC</li> <li>10A 24V DC</li> <li>16A 12V DC</li> </ul>	<ul style="list-style-type: none"> <li>1: 250" SQ</li> </ul>	<ul style="list-style-type: none"> <li>B: Black</li> <li>R: Black&amp;Red</li> <li>AL: LED-I Amber</li> <li>GL: LED-I Green</li> <li>RL: LED-I Red</li> <li>UL: LED-I Blue</li> </ul> <p><i>*Some models available in LED-D instead</i></p>	<ul style="list-style-type: none"> <li>3: Point</li> </ul> <p><i>*Check models available</i></p>

## Models

Model No.	Circuitry	Action	Rating	Terminal	Actuator
RG1-1A-DC-1-B	2P SPST	OFF-ON	20A 12V DC / 10A 24V DC	250" SQ	Black
RG1-1A-DC-1-R-3	2P SPST	OFF-ON	20A 12V DC / 10A 24V DC	250" SQ	Black&Red w/ Legend Point
RG1-1F-DC-1-B	3P SPDT	ON-OFF-ON	20A 12V DC / 10A 24V DC	250" SQ	Black
RG1-1A-DC-1-RL	3P SPST	OFF-ON	16A 12V DC	250" SQ	LED-D Red
RG2-1A-DC-1-AL	4P SPST	OFF-ON	16A 12V DC	250" SQ	LED-I Amber
RG2-1A-DC-1-GL	4P SPST	OFF-ON	16A 12V DC	250" SQ	LED-I Green
RG2-1A-DC-1-RL	4P SPST	OFF-ON	16A 12V DC	250" SQ	LED-I Red
RG2-1A-DC-1-UL	4P SPST	OFF-ON	16A 12V DC	250" SQ	LED-I Blue
RG3-1A-DC-1-B	2P SPST	OFF-ON	20A 12V DC / 10A 24V DC	250" SQ	Black

## SEALED ROCKER SWITCH - SRA Series



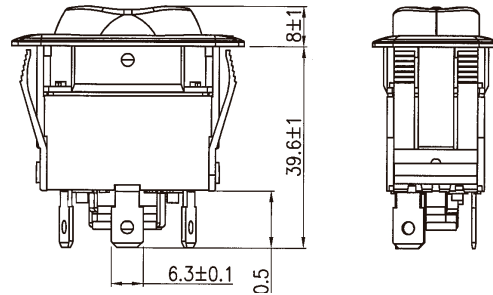
SRA1



SRA2

### Dimensions:

In Millimeters



### Accessories / Features\*:

- Wire connector. CW1
- Waterproof IP. IP56

	36.6 x 21.2 mm
	0.7~3.0 mm max

## Ordering information

**SRA1**

**1 B**

**DC**

**1**

**NN**

**2**

SERIES	CIRCUIT	RATING	TERMINAL	ACTUATOR	PRINT
<ul style="list-style-type: none"> <li>• SRA1</li> <li>• SRA2</li> </ul>	<ul style="list-style-type: none"> <li>• 1: SP // 2: DP</li> <li>• A: OFF - ON</li> <li>• B: OFF - (ON)</li> <li>• D: ON - ON</li> <li>• F: ON - OFF - ON</li> <li>• G: (ON) - OFF - (ON)</li> <li>• H: ON - OFF - (ON)</li> </ul>	<ul style="list-style-type: none"> <li>• DC: 21A 14V DC / 10A 28V DC</li> </ul>	<ul style="list-style-type: none"> <li>• 1: 250° SQ</li> </ul>	<ul style="list-style-type: none"> <li>• NN: Black</li> <li>• RG: LED-D Red/Green</li> </ul>	<ul style="list-style-type: none"> <li>• 2: OFF-ON</li> </ul> <p><i>*Check models available</i></p>

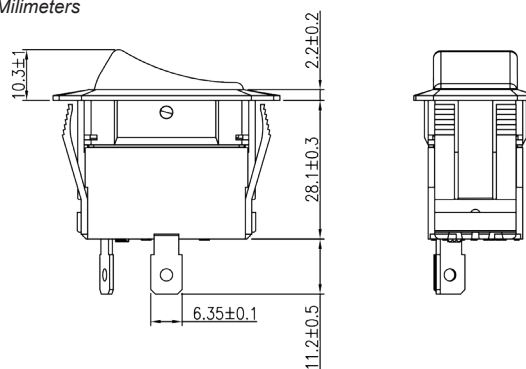
## Models

Model No.	Circuitry	Action	Rating	Terminal	Actuator
SRA1-1A-DC-1-NN	2P SPST	OFF-ON	21A 14V DC / 10A 28V DC	250° SQ	Black
SRA1-1A-DC-1-NN-2	2P SPST	OFF-ON	21A 14V DC / 10A 28V DC	250° SQ	Black w/ Legend ON-OFF
SRA1-1D-DC-1-NN	3P SPDT	ON-ON	21A 14V DC / 10A 28V DC	250° SQ	Black
SRA1-1G-DC-1-NN	3P SPDT	(ON)-OFF-(ON)	21A 14V DC / 10A 28V DC	250° SQ	Black
SRA1-1H-DC-1-NN	3P SPDT	ON-OFF-(ON)	21A 14V DC / 10A 28V DC	250° SQ	Black
SRA1-2A-DC-1-NN-2	4P DPST	OFF-ON	21A 14V DC / 10A 28V DC	250° SQ	Black w/ Legend ON-OFF
SRA1-2B-DC-1-NN	4P DPST	OFF-(ON)	21A 14V DC / 10A 28V DC	250° SQ	Black
SRA1-2F-DC-1-NN	6P DPDT	ON-OFF-ON	21A 14V DC / 10A 28V DC	250° SQ	Black
SRA1-2G-DC-1-NN	6P DPDT	(ON)-OFF-(ON)	21A 14V DC / 10A 28V DC	250° SQ	Black
SRA2-1D-DC-1-RG	4P SPDT	ON-ON	21A 14V DC	250° SQ	LED-D Red/Green
SRA2-1F-DC-1-RG	4P SPDT	ON-OFF-ON	21A 14V DC	250° SQ	LED-D Red/Green

## SEALED ROCKER SWITCH - SRB Series

### Dimensions:

In Millimeters



SRB1

SRB2

SRB3

### Accessories / Features\*:

- Wire connector. CW1
- Waterproof IP. IP56

	36.6 x 21.2 mm
	0.75~3.0 mm max

### Ordering information

**SRB1** - **1 A** - **DC** - **1** - **NN**

SERIES	CIRCUIT	RATING	TERMINAL	ACTUATOR
<ul style="list-style-type: none"> <li>• SRB1</li> <li>• SRB2</li> <li>• SRB3</li> </ul>	<ul style="list-style-type: none"> <li>• 1: SP // 2: DP</li> <li>• <b>A:</b> OFF - ON</li> <li>• <b>B:</b> OFF - (ON)</li> <li>• <b>D:</b> ON - ON</li> <li>• <b>E:</b> ON - (ON)</li> <li>• <b>F:</b> ON - OFF - ON</li> <li>• <b>G:</b> (ON) - OFF - (ON)</li> <li>• <b>H:</b> ON - OFF - (ON)</li> </ul>	<ul style="list-style-type: none"> <li>• <b>DC:</b> 21A 14V DC / 10A 28V DC</li> </ul>	<ul style="list-style-type: none"> <li>• 1: 250" SQ</li> </ul>	<ul style="list-style-type: none"> <li>• <b>NN:</b> Black</li> <li>• <b>RNL:</b> LED-D Red</li> <li>• <b>RGL:</b> LED-D Red/Green</li> </ul>

### Models

Model No.	Circuitry	Action	Rating	Terminal	Actuator
SRB1-1A-DC-1-NN	2P SPST	OFF-ON	21A 14V DC / 10A 28V DC	250" SQ	Black
SRB1-1B-DC-1-NN	2P SPST	OFF-(ON)	21A 14V DC / 10A 28V DC	250" SQ	Black
SRB1-1D-DC-1-NN	3P SPDT	ON-ON	21A 14V DC / 10A 28V DC	250" SQ	Black
SRB1-1E-DC-1-NN	3P SPDT	ON-(ON)	21A 14V DC / 10A 28V DC	250" SQ	Black
SRB1-1G-DC-1-NN	3P SPDT	(ON)-OFF-(ON)	21A 14V DC / 10A 28V DC	250" SQ	Black
SRB1-1H-DC-1-NN	3P SPDT	ON-OFF-(ON)	21A 14V DC / 10A 28V DC	250" SQ	Black
SRB1-2A-DC-1-NN	4P DPST	OFF-ON	21A 14V DC / 10A 28V DC	250" SQ	Black
SRB1-2D-DC-1-NN	6P DPDT	ON-ON	21A 14V DC / 10A 28V DC	250" SQ	Black
SRB1-2G-DC-1-NN	6P DPDT	(ON)-OFF-(ON)	21A 14V DC / 10A 28V DC	250" SQ	Black
SRB2-1A-DC-1-RNL	3P SPST	OFF-ON	21A 14V DC	250" SQ	LED-D Red
SRB3-1D-DC-1-RGL	4P SPDT	ON-ON	21A 14V DC	250" SQ	LED-D Red/Green
SRB3-1F-DC-1-RGL	4P SPDT	ON-OFF-ON	21A 14V DC	250" SQ	LED-D Red/Green

Further details about standards and certifications in technical data sheet. Accessories available only for some models

# SEALED ROCKER SWITCH - SRC Series



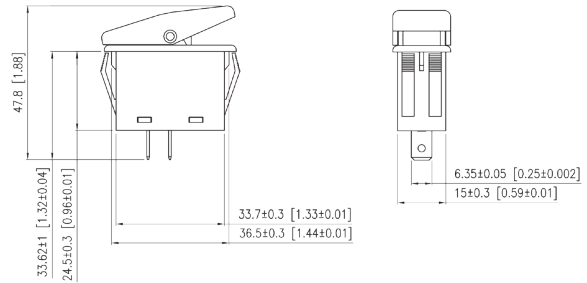
SRC1



SRC2

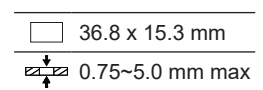
### Dimensions:

In Millimeters



### Accessories / Features\*:

- Waterproof IP: IP56



## Ordering information

SRC1

1

B

DC

1

B

SERIES	CIRCUIT	RATING	TERMINAL	ACTUATOR
<ul style="list-style-type: none"> <li>SRC1</li> <li>SRC2</li> </ul>	<ul style="list-style-type: none"> <li>1: SP</li> <li>A: OFF - ON</li> <li>B: OFF - (ON)</li> <li>F: ON - OFF - ON</li> <li>G: (ON) - OFF - (ON)</li> </ul>	<ul style="list-style-type: none"> <li>DC: 21A 14V DC / 10A 28V DC</li> </ul>	<ul style="list-style-type: none"> <li>1: 250° SQ</li> </ul>	<ul style="list-style-type: none"> <li>B: Black</li> <li>AL: LED-D Amber</li> <li>RL: LED-D Red</li> <li>GL: LED-D Green</li> <li>UL: LED-D Blue</li> </ul>

## Models

Model No.	Circuitry	Action	Rating	Terminal	Actuator
SRC1-1A-DC-1-B	2P SPST	OFF-ON	21A 14V DC / 10A 28V DC	250° SQ	Black
SRC1-1B-DC-1-B	2P SPST	OFF-(ON)	21A 14V DC / 10A 28V DC	250° SQ	Black
SRC1-1F-DC-1-B	3P SPDT	ON-OFF-ON	21A 14V DC / 10A 28V DC	250° SQ	Black
SRC1-1G-DC-1-B	3P SPDT	(ON)-OFF-(ON)	21A 14V DC / 10A 28V DC	250° SQ	Black
SRC2-1A-DC-1-AL	3P SPST	OFF-ON	21A 14V DC	250° SQ	LED-D Amber
SRC2-1A-DC-1-GL	3P SPST	OFF-ON	21A 14V DC	250° SQ	LED-D Green
SRC2-1A-DC-1-RL	3P SPST	OFF-ON	21A 14V DC	250° SQ	LED-D Red
SRC2-1A-DC-1-UL	3P SPST	OFF-ON	21A 14V DC	250° SQ	LED-D Blue



## SEALED ROCKER SWITCH - SRD Series

STARTER SWITCH

PUSH BUTTON SWITCH

PUSH-PULL SWITCH

TOGGLE SWITCH

STANDARD ROCKER SWITCH

SEALED ROCKER SWITCH

BATTERY SWITCH

ACCESSORIES



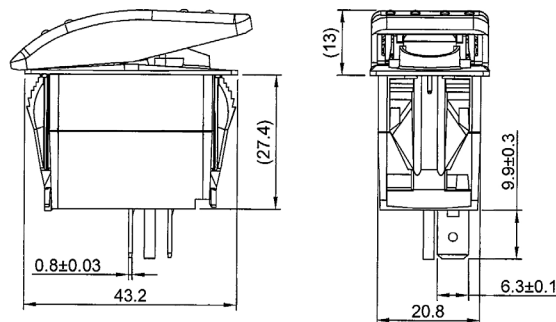
SRD1



SRD2

### Dimensions:

In Millimeters



### Accessories / Features\*:

- Waterproof IP: IP56

	36.8 x 21.2 mm
	0.75~3.0 mm max

### Ordering information

SRD1

1

A

DC

1

BNN

SERIES	CIRCUIT	RATING	TERMINAL	ACTUATOR
<ul style="list-style-type: none"> <li>SRD1</li> <li>SRD2</li> </ul>	<ul style="list-style-type: none"> <li>1: SP // 2: DP</li> <li>A: OFF - ON</li> <li>B: OFF - (ON)</li> <li>D: ON - ON</li> <li>F: ON - OFF - ON</li> <li>G: (ON) - OFF - (ON)</li> </ul>	<ul style="list-style-type: none"> <li>DC: 21A 14V DC</li> </ul>	<ul style="list-style-type: none"> <li>1: 250" SQ</li> </ul>	<ul style="list-style-type: none"> <li>BNN: Black</li> <li>RNN: Black&amp;Red</li> <li>BAN: LED-D Amber</li> <li>BGN: LED-D Green</li> <li>BRN: LED-D Red</li> <li>BRR: LED-D Red/Red</li> </ul>

### Models

Model No.	Circuitry	Action	Rating	Terminal	Actuator
SRD1-1A-DC-1-BNN	2P SPST	OFF-ON	21A 14V DC	250" SQ	Black
SRD1-1B-DC-1-BNN	2P SPST	OFF-(ON)	21A 14V DC	250" SQ	Black
SRD1-1F-DC-1-BNN	3P SPDT	ON-OFF-ON	21A 14V DC	250" SQ	Black
SRD1-1G-DC-1-BNN	3P SPDT	(ON)-OFF-(ON)	21A 14V DC	250" SQ	Black
SRD1-2A-DC-1-BNN	4P DPST	OFF-ON	21A 14V DC	250" SQ	Black
SRD1-2B-DC-1-BNN	4P DPST	OFF-(ON)	21A 14V DC	250" SQ	Black
SRD1-2D-DC-1-BNN	6P DPDT	ON-ON	21A 14V DC	250" SQ	Black
SRD1-2F-DC-1-BNN	6P DPDT	ON-OFF-ON	21A 14V DC	250" SQ	Black
SRD1-2G-DC-1-BNN	6P DPDT	(ON)-OFF-(ON)	21A 14V DC	250" SQ	Black
SRD1-1A-DC-1-RNN	2P SPST	OFF-ON	21A 14V DC	250" SQ	Red
SRD1-1B-DC-1-RNN	2P SPST	OFF-(ON)	21A 14V DC	250" SQ	Red
SRD1-1F-DC-1-RNN	3P SPDT	ON-OFF-ON	21A 14V DC	250" SQ	Red
SRD1-1G-DC-1-RNN	3P SPDT	(ON)-OFF-(ON)	21A 14V DC	250" SQ	Red

Further details about standards and certifications in technical data sheet. Accessories available only for some models



## SEALED ROCKER SWITCH - SRD Series

Model No.	Circuitry	Action	Rating	Terminal	Actuator
SRD1-2A-DC-1-RNN	4P DPST	OFF-ON	21A 14V DC	250" SQ	Red
SRD1-2B-DC-1-RNN	4P DPST	OFF-(ON)	21A 14V DC	250" SQ	Red
SRD1-2D-DC-1-RNN	6P DPDT	ON-ON	21A 14V DC	250" SQ	Red
SRD1-2F-DC-1-RNN	6P DPDT	ON-OFF-ON	21A 14V DC	250" SQ	Red
SRD1-2G-DC-1-RNN	6P DPDT	(ON)-OFF-(ON)	21A 14V DC	250" SQ	Red
SRD1-1A-DC-1-BAN	3P SPST	OFF-ON	21A 14V DC	250" SQ	LED-D Amber
SRD1-1A-DC-1-BGN	3P SPST	OFF-ON	21A 14V DC	250" SQ	LED-D Green
SRD1-1A-DC-1-BRN	3P SPST	OFF-ON	21A 14V DC	250" SQ	LED-D Red
SRD1-2A-DC-1-BAN	5P SPST	OFF-ON	21A 14V DC	250" SQ	LED-D Amber
SRD1-2A-DC-1-BGN	5P SPST	OFF-ON	21A 14V DC	250" SQ	LED-D Green
SRD1-2A-DC-1-BRN	5P SPST	OFF-ON	21A 14V DC	250" SQ	LED-D Red
SRD1-1F-DC-1-BRR	4P SPDT	ON-OFF-ON	21A 14V DC	250" SQ	LED-D Red/Red
SRD2-1A-DC-1-BNN	2P SPST	OFF-ON	21A 14V DC	250" SQ	Black
SRD2-1B-DC-1-BNN	2P SPST	OFF-(ON)	21A 14V DC	250" SQ	Black
SRD2-1F-DC-1-BNN	3P SPDT	ON-OFF-ON	21A 14V DC	250" SQ	Black
SRD2-1G-DC-1-BNN	3P SPDT	(ON)-OFF-(ON)	21A 14V DC	250" SQ	Black
SRD2-2A-DC-1-BNN	4P DPST	OFF-ON	21A 14V DC	250" SQ	Black
SRD2-2B-DC-1-BNN	4P DPST	OFF-(ON)	21A 14V DC	250" SQ	Black
SRD2-2D-DC-1-BNN	6P DPDT	ON-ON	21A 14V DC	250" SQ	Black
SRD2-2F-DC-1-BNN	6P DPDT	ON-OFF-ON	21A 14V DC	250" SQ	Black
SRD2-2G-DC-1-BNN	6P DPDT	(ON)-OFF-(ON)	21A 14V DC	250" SQ	Black
SRD2-1A-DC-1-RNN	2P SPST	OFF-ON	21A 14V DC	250" SQ	Red
SRD2-1B-DC-1-RNN	2P SPST	OFF-(ON)	21A 14V DC	250" SQ	Red
SRD2-1F-DC-1-RNN	3P SPDT	ON-OFF-ON	21A 14V DC	250" SQ	Red
SRD2-1G-DC-1-RNN	3P SPDT	(ON)-OFF-(ON)	21A 14V DC	250" SQ	Red
SRD2-2A-DC-1-RNN	4P DPST	OFF-ON	21A 14V DC	250" SQ	Red
SRD2-2B-DC-1-RNN	4P DPST	OFF-(ON)	21A 14V DC	250" SQ	Red
SRD2-2D-DC-1-RNN	6P DPDT	ON-ON	21A 14V DC	250" SQ	Red
SRD2-2F-DC-1-RNN	6P DPDT	ON-OFF-ON	21A 14V DC	250" SQ	Red
SRD2-2G-DC-1-RNN	6P DPDT	(ON)-OFF-(ON)	21A 14V DC	250" SQ	Red
SRD2-1A-DC-1-BAN	3P SPST	OFF-ON	21A 14V DC	250" SQ	LED-D Amber
SRD2-1A-DC-1-BGN	3P SPST	OFF-ON	21A 14V DC	250" SQ	LED-D Green
SRD2-1A-DC-1-BRN	3P SPST	OFF-ON	21A 14V DC	250" SQ	LED-D Red
SRD2-2A-DC-1-BAN	5P SPST	OFF-ON	21A 14V DC	250" SQ	LED-D Amber
SRD2-2A-DC-1-BGN	5P SPST	OFF-ON	21A 14V DC	250" SQ	LED-D Green
SRD2-2A-DC-1-BRN	5P SPST	OFF-ON	21A 14V DC	250" SQ	LED-D Red
SRD2-1F-DC-1-BRR	4P SPDT	ON-OFF-ON	21A 14V DC	250" SQ	LED-D Red/Red

STARTER SWITCH

PUSH BUTTON SWITCH

PUSH-PULL SWITCH

TOGGLE SWITCH

STANDARD ROCKER SWITCH

SEALED ROCKER SWITCH

BATTERY SWITCH

ACCESSORIES

# BATTERY SWITCH

Standards and certifications\*:



STARTER SWITCH

PUSH BUTTON SWITCH

PUSH-PULL SWITCH

TOGGLE SWITCH

STANDARD ROCKER SWITCH

SEALED ROCKER SWITCH

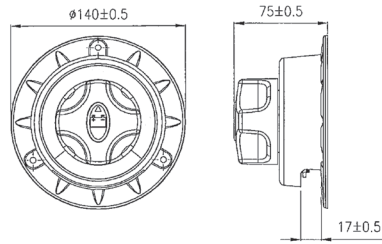
BATTERY SWITCH

ACCESSORIES



BA

## BA SERIES

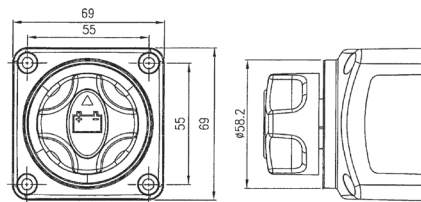


In Millimeters



BB

## BB SERIES

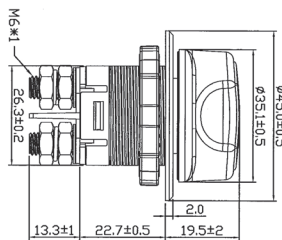


In Millimeters



BC

## BC SERIES

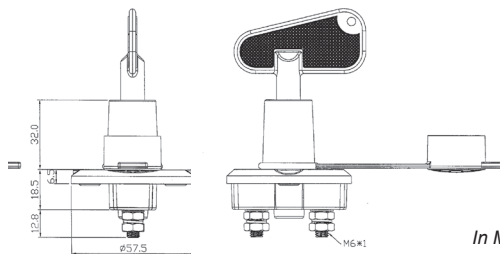


In Millimeters



BD

## BD SERIES



In Millimeters

## Models

Model No.	Circuitry	Continuous Rating	Intermittent Rating	Cracking Rating	Insulation Resistance	Dielectric Strength
BA-DC	OFF/1/1&2/2	200A 12-50VDC	300A	1000A	DC 1000V 100MΩ Min	DC 2000V / AC 1000V 1 Min
BB1-DC	ON/OFF/OUT	200A 12-50VDC	300A	1000A	DC 1000V 100MΩ Min	DC 2000V / AC 1000V 1 Min
BB2-DC	OFF/1/2/1&2	100A 12-50VDC	300A	1000A	DC 1000V 100MΩ Min	DC 2000V / AC 1000V 1 Min
BC1-DC	OFF-ON	50A 50VDC	75A	300A	DC 500V 100MΩ Min	DC 2000V / AC 1000V 1 Min
BC2-DC	OFF-ON	100A 32VDC	150A	500A	DC 500V 100MΩ Min	DC 2000V / AC 1000V 1 Min
BC3-DC	OFF-ON	200A 32VDC	300A	750A	DC 500V 100MΩ Min	DC 2000V / AC 1000V 1 Min
BD-DC	OFF-ON	100A 12V / 50A 24VDC	150A 12V / 75A 24V DC	500A	DC 500V 100MΩ Min	DC 2000V / AC 1000V 1 Min

Further details about standards and certifications in technical data sheet. Accessories available only for some models

## ACCESSORIES



Waterproof Cover

### WATERPROOF COVER

#### Models:

Opti P/N	Available for	Switch type	Characteristics
WT1	TA1, TB2, TC	Toggle	
WT2	TA2, TB1	Toggle	Black
WR1	RA	Rocker	IP55
WR2	RF	Rocker	IP55



Wire Connector

### WIRE CONNECTOR

#### Models:

Opti P/N	Available for	Fits	Characteristics
CW1	TB2, SRA, SRB	250' SQ	Wire: 14 AWG max
CW2	RA, RB	187" SQ	Wire: 14 AWG max



Safety Cover

### SAFETY COVER

#### Models:

Opti P/N	Available for	Fits	Characteristics
SC-R	TA1, TB2, TE		Red
SC-B	TA1, TB2, TE		Black

STARTER SWITCH

PUSH BUTTON SWITCH

PUSH-PULL SWITCH

TOGGLE SWITCH

STANDARD ROCKER SWITCH

SEALED ROCKER SWITCH

BATTERY SWITCH

ACCESSORIES

**CIRCUIT**

**SPST code 1**

Number of poles	2P	2P	2P	3P	Number of poles
Position	OFF-ON	OFF-(ON)	ON-(OFF)	OFF-ON	Position
Position code	A	B	C	A	Position code
Circuit image					Circuit image

Number of poles	3P	4P	Number of poles
Position	OFF-(ON)	OFF-ON	Position
Position code	B	B	Position code
Circuit image			Circuit image

**SPDT code 1**

Number of poles	3P	3P	3P	3P	Number of poles
Position	ON-ON	ON-(ON)	ON-OFF-ON	(ON)-OFF-(ON)	Position
Position code	D	E	F	G	Position code
Circuit image					Circuit image

Number of poles	3P	Number of poles
Position	ON-OFF-(ON)	Position
Position code	H	Position code
Circuit image		Circuit image

Momentary action showed between brackets: (OFF), (ON)

**CIRCUIT**

**DPST code 2**

Number of poles	4P	4P	Number of poles
Position	OFF-ON	OFF-(ON)	Position
Position code	A	B	Position code
Circuit image			Circuit image

**DPDT code 2**

Number of poles	6P	6P	6P	6P	Number of poles
Position	ON-ON	ON-(ON)	ON-OFF-ON	(ON)-OFF-(ON)	Position
Position code	D	E	F	G	Position code
Circuit image					Circuit image

Number of poles	6P	Number of poles
Position	ON-OFF-(ON)	Position
Position code	H	Position code
Circuit image		Circuit image

**PRINT**

<b>Code</b>	<b>1</b>	<b>2</b>	<b>3</b>	<b>4</b>	<b>Code</b>
Description	0-	ON-OFF	Point	I-II	Description
Image					Image

<b>Code</b>	<b>5</b>	<b>Code</b>
Description	I 0 II	Description
Image		Image

## TERMINAL

Code	1	2	3	4	Code
Name	Quick Connect	Quick Connect	M4 Screw	M3 Screw	Name
Description	250" SQ	187" SQ	SCM4	SCM3	Description
Logo					Logo
Full picture					Full picture

Code	5	6	7	8	Code
Name	Solder	Screw	Screw	PIN	Name
Description	SO	SC 6-32UNC	SC 8-32UNC	PIN	Description
Logo					Logo
Full picture					Full picture

Code	9	W	Code
Name	Quick Connect	Wire	Name
Description	110" SQ	WIRE	Description
Logo			Logo
Full picture			Full picture

## STANDARDS AND CERIFICATIONS

Agency	UL	CSA	DEMKO	ENEC	Agency
Country	United States	Canada	Denmark	Europe	Country
Seal					Seal

Agency	TUV	CE	Agency
Country	Germany	Europe	Country
Seal			Seal

## TECHNICAL INFORMATION FOR SWITCHES

### 1. Scope

Below testing requirements cover manually and mechanically operable special-use switches:

- The parameters are for use on direct current as well as on alternating current or on alternating current only.
- For the load ratings, do not exceed 60A 250V or a lower potential ( $\leq 60A$  250A) nor 30A or 2HP at 600V or a lower potential ( $\leq 30A$  600V, or  $\leq 2HP$  600V).

### 2. Electrical Ratings

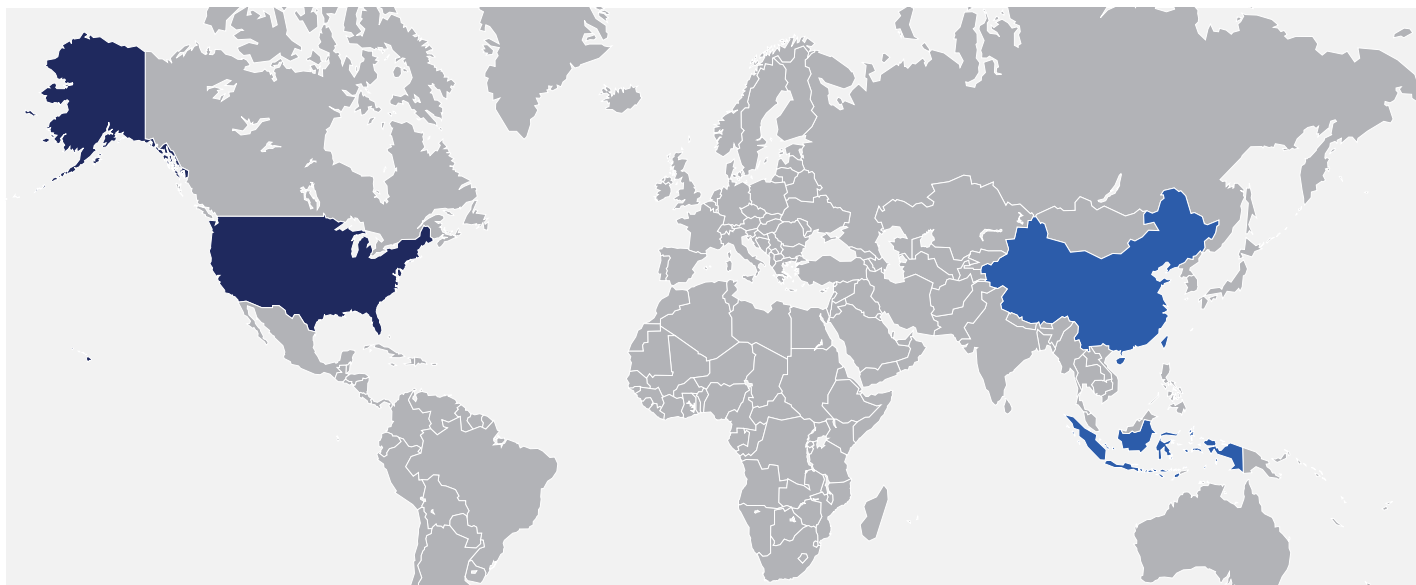
No.	Item	Requirements
2.1	Rating in voltage and current	(base on switch type)
2.2	Contact resistance (new state)	<100 m $\Omega$ (5V, 1A DC)
2.3	Dielectric strength (new state)	>1000V >2500V $\rightarrow$ On request (10 mA between the contacts)
2.4	Insulation resistance (new state)	>100 M $\Omega$ (500 V DC between the open contacts)
2.5	Inrush current	50 A/3 msec (capacitive load)
2.6	Electrical life endurance	>6,000 cycles Volt drop: <100mV >10,000 cycles $\rightarrow$ On request
2.7	Temperature rise at the terminals (according to electrical endurance)	<30 $^{\circ}C$ $\rightarrow$ 6,000 cycles <55 $^{\circ}C$ $\rightarrow$ 10,000 cycles (ambient conditions: 25 $\pm$ 2 $^{\circ}C$ and 65 $\pm$ 5% R.H.)

### 3. Mechanical Characteristics

No.	Item	Requirements
3.1	W force	(base on switch type)
3.2	Operating endurance	>10,000 cycles
3.3	Terminal strength	>2.5kg $\rightarrow$ solder terminal >6.8kg $\rightarrow$ plug-in / screw terminal
3.4	Solderability of terminals	Max. 350 $^{\circ}C$ / 3 sec (no pressure may be terminals when soldering by hand)

### 4. Environmental

No.	Item	Requirements
4.1	Ambient temperature	-20 $^{\circ}C$ to +85 $^{\circ}C$
4.2	Humidity	Max. 85%
4.3	Salt spray test	No remarkable rust in metal parts (5% Salt / 35 $^{\circ}C$ 24hrs)
4.4	Shock test	No mechanical defect or damage (100g / 10msec / X, Y, Z, 3 times)
4.5	Vibration test	No mechanical defect or damage (10-55Hz / 1.5mm / X, Y, Z, 2 hrs)



## CONTACT INFORMATION

Switch Components (SCI) is committed to providing our customers and potential customers with the highest levels of personal service.

Our goal is to provide you with all the current information you need, in the manner you want.

On our website, you will find updated technical data, product specifications, safety, and environmental compliance information.

Switch Component products are typically sold through a network of authorized distributors. On our website, you will be able to find a complete listing of a distributors most convenient for you.

We are also available by phone, fax, or e-mail from 7am to 5pm (Pacific Time) each weekday to assist you with inventory checks, pricing, and competitive cross-referencing.

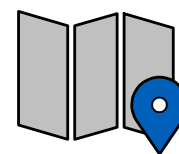
### CHECK OUR CHANNELS



**THIS CATALOG**  
full detailed information



**ONLINE**  
[www.switchcomp.com](http://www.switchcomp.com)



**VISIT US**  
1675 Pioneer Way, Suite C  
El Cajon, CA 92020

### ORDER TODAY IN 3 EASY WAYS



**BY TELEPHONE**  
(619) 749-3250



**BY EMAIL**  
[sales@switchcomp.com](mailto:sales@switchcomp.com)



**BY FAX**  
(619) 590-0716